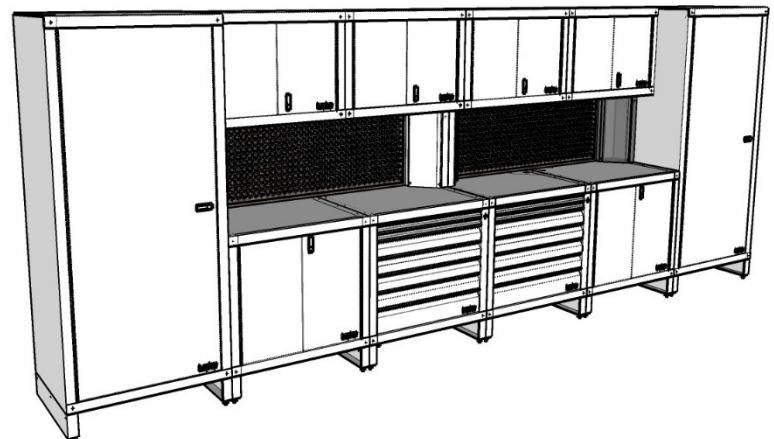
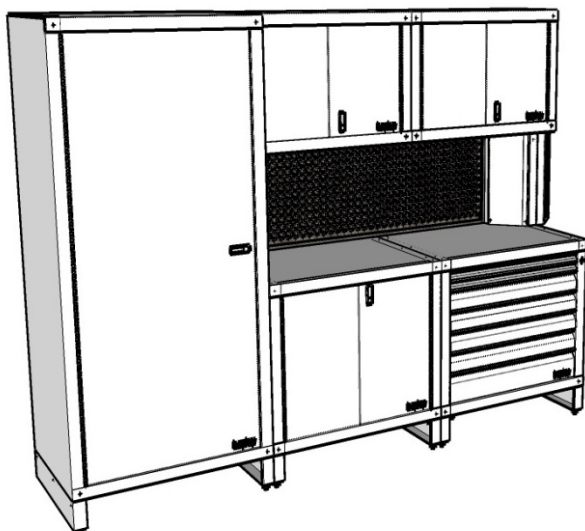
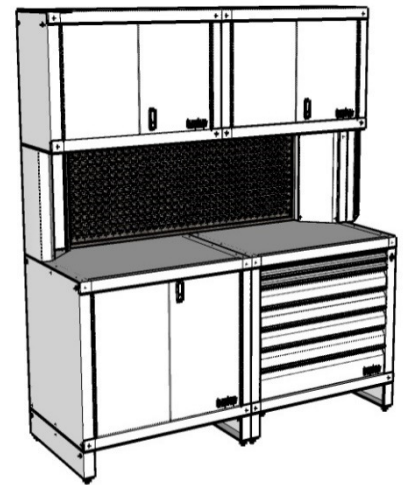
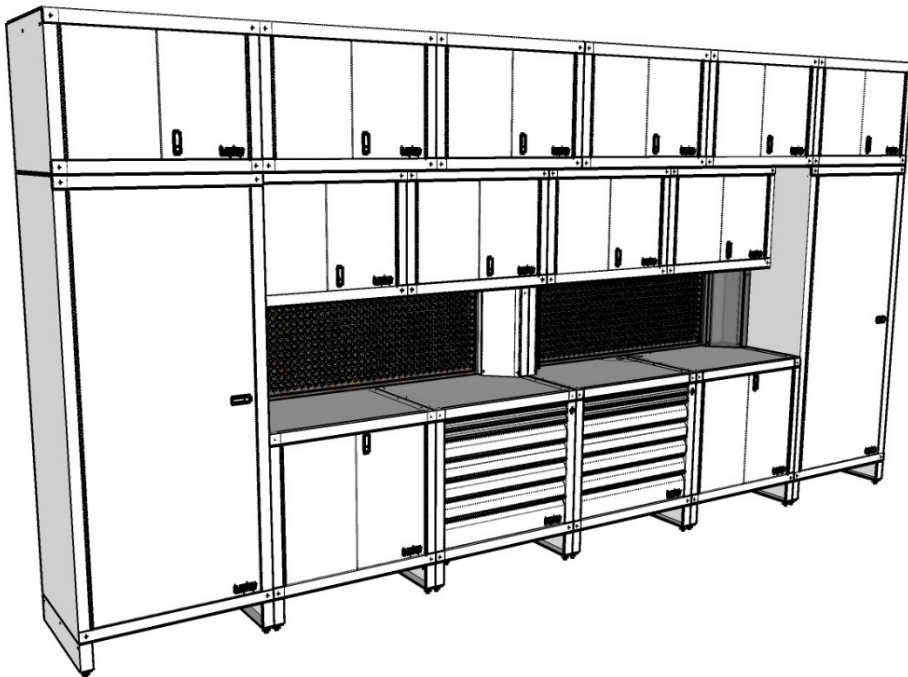


CABINETS BY **hayley**

Assembly Instructions



Contact Us

If you have any questions or you are having difficulty with the installation, please feel free to contact us:

Phone: 1 888 297 4101

www.cabinetsbyhayley.com

Required Tools:

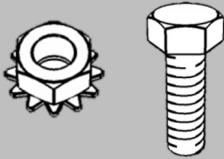
- 2 – 7/16" Wrenches
- 1 – 1/2" Wrench
- 1 – #2 Phillips Screw Driver
- 1 – #3 Robertson Screw Driver
- 1 – Ratchet Wrench
- 1 – 7/16" Socket
- 1 – 1/2" Socket

PLEASE NOTE numbers of hardware will depend on your cabinet configuration.

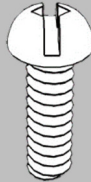
WARNING!!

All Hayley cabinet units must be securely anchored to studs or other structural wall components. Even though Hayley cabinets are designed to stand alone, failure to anchor them may result in serious injury or death and voids any and all product warranties and manufacturer liability.

Scale 1:1

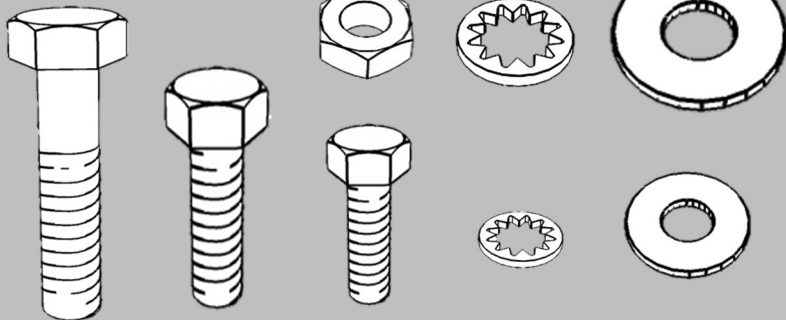


Scale 1:1



Scale 1:1

COUNTERTOP HARDWARE

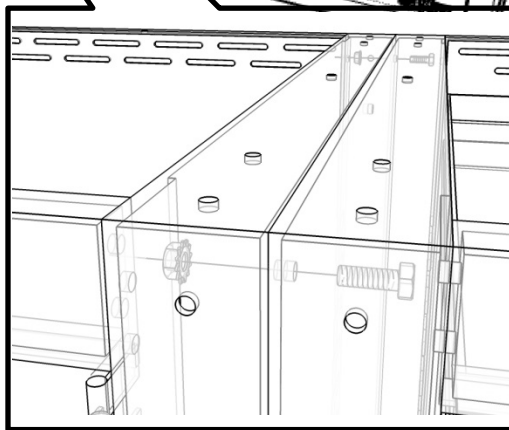
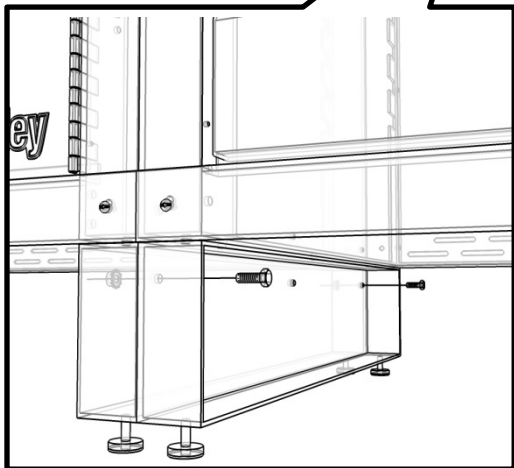
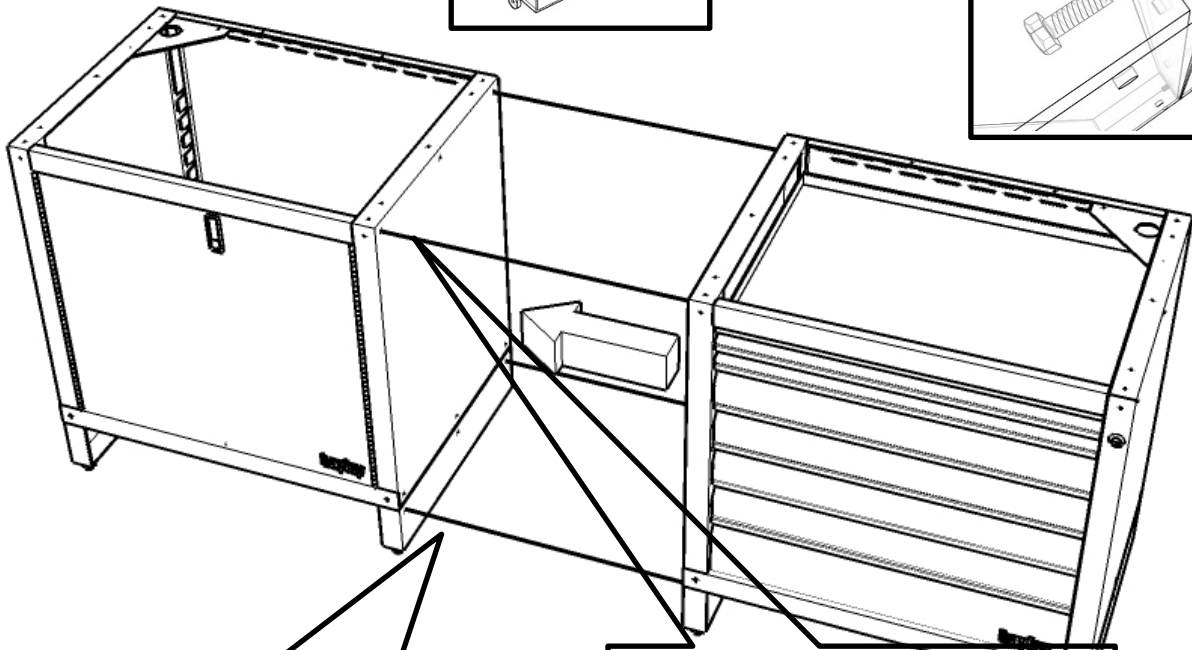
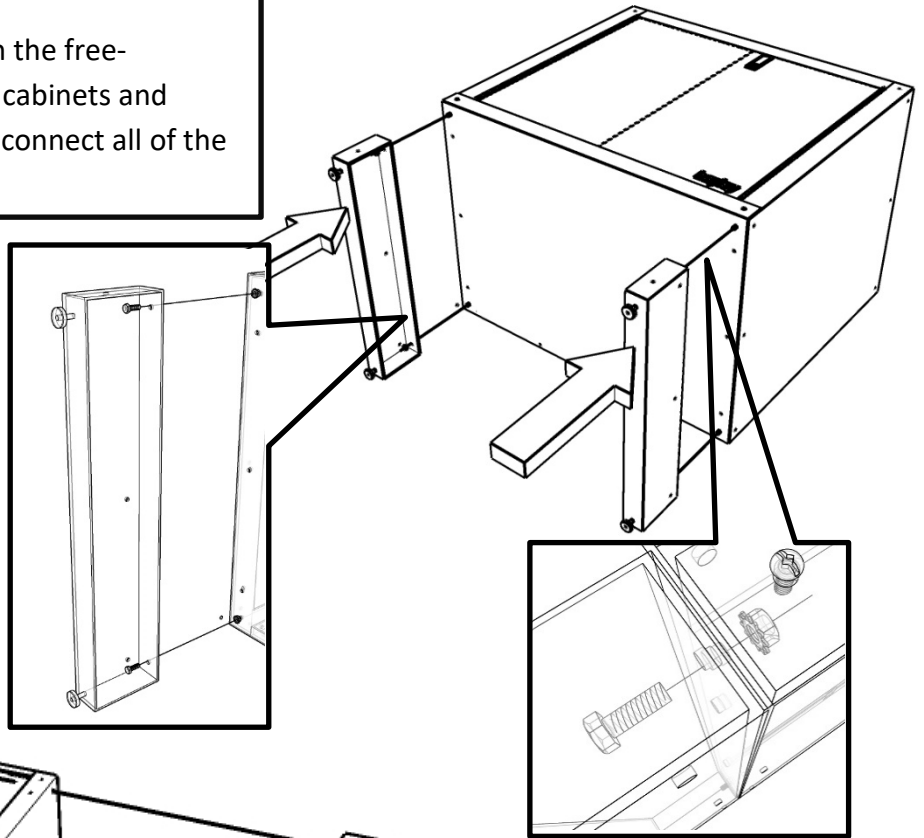
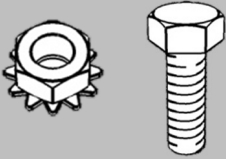


Not to scale

Step 1

Use the hardware shown below to attach the free-standing legs to the bottom of the lower cabinets and closets. Then use the same hardware to connect all of the lower cabinets together.

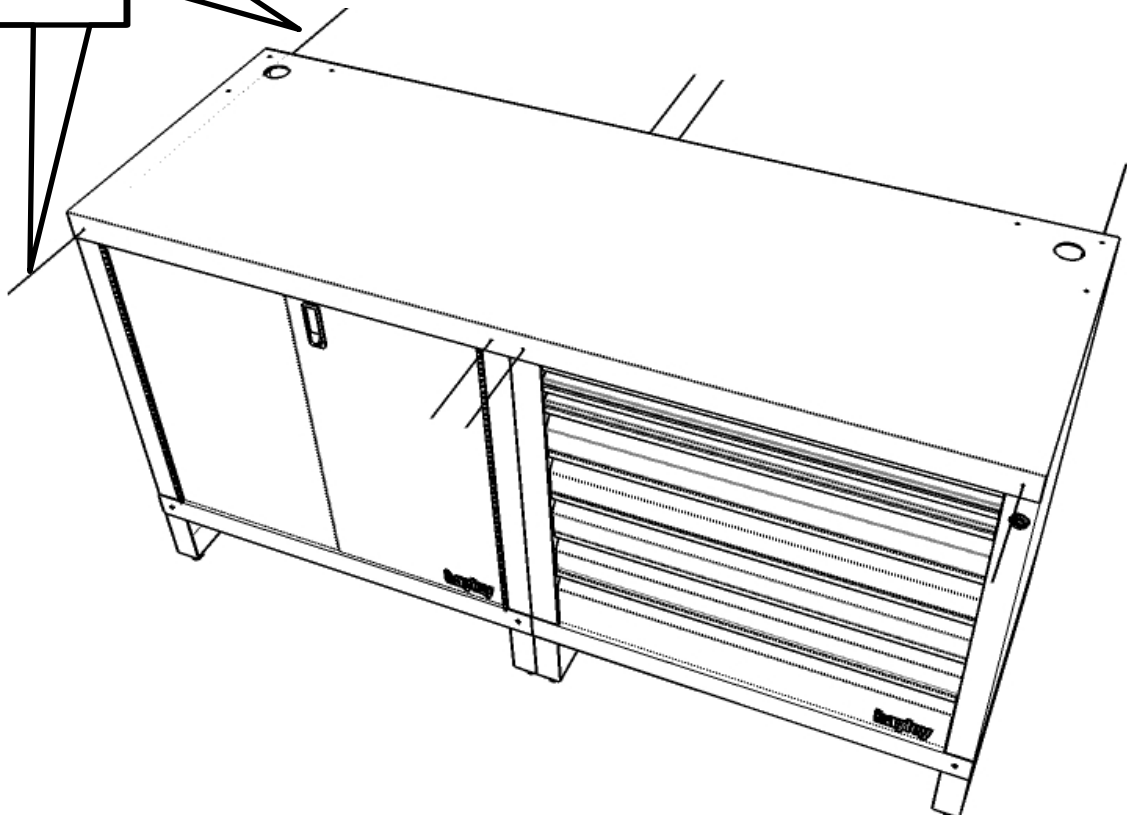
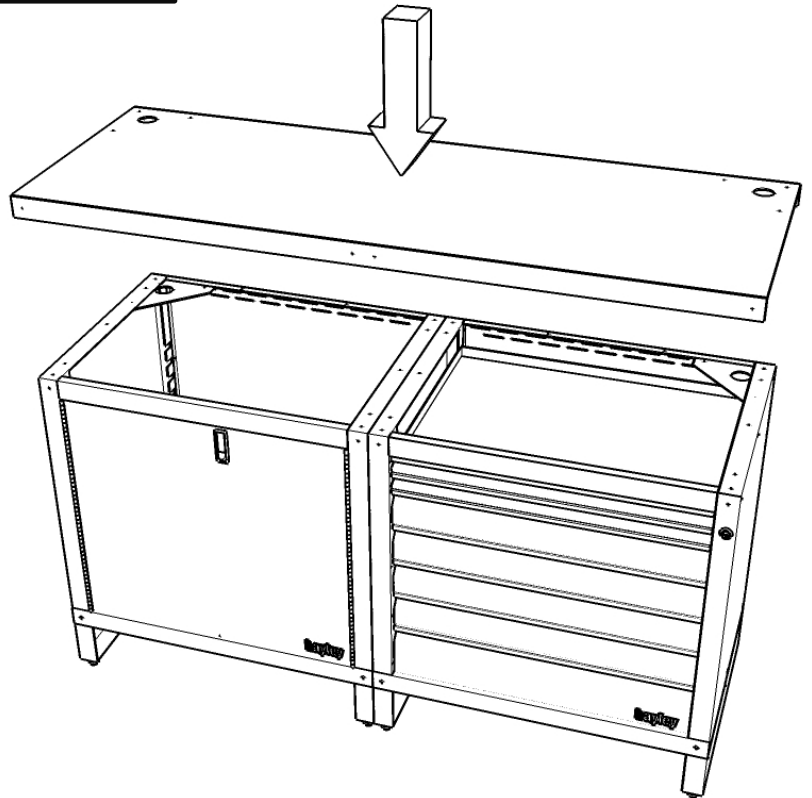
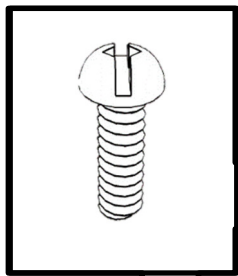
Scale 1:1



Step 2

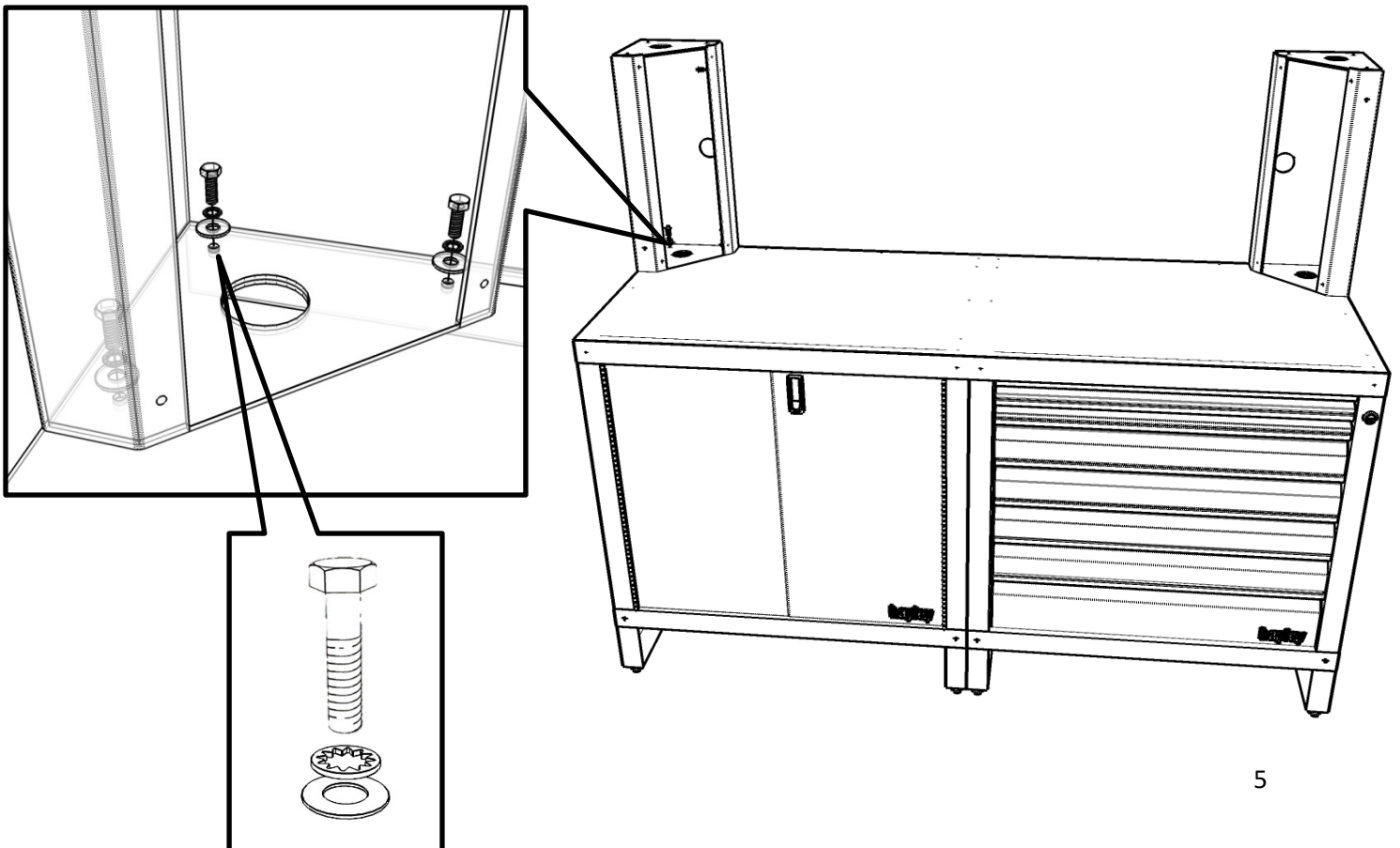
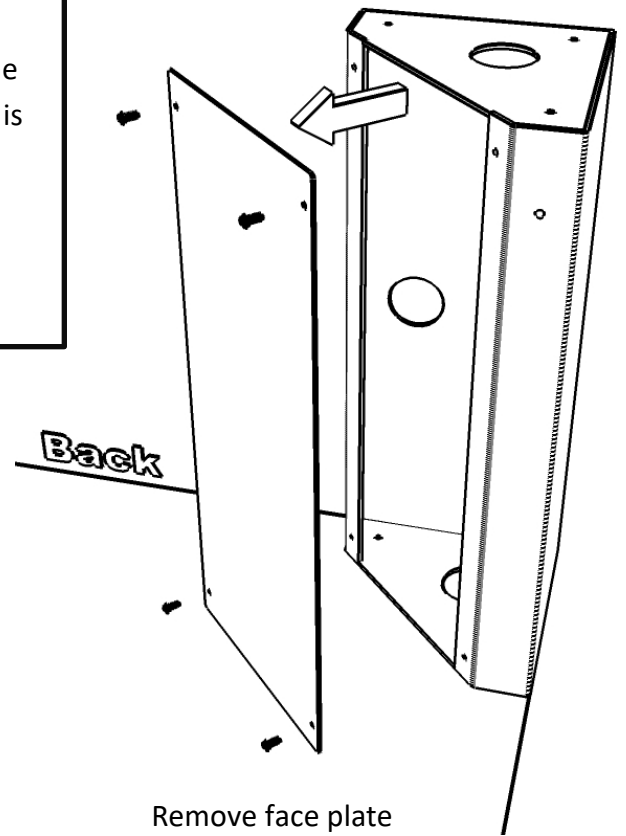
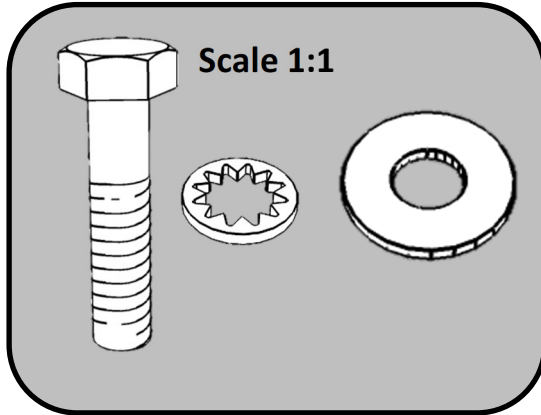
Place countertop onto each pair of lowers in configuration. Use hardware shown below to connect each countertop to the lowers.

Scale 1:1



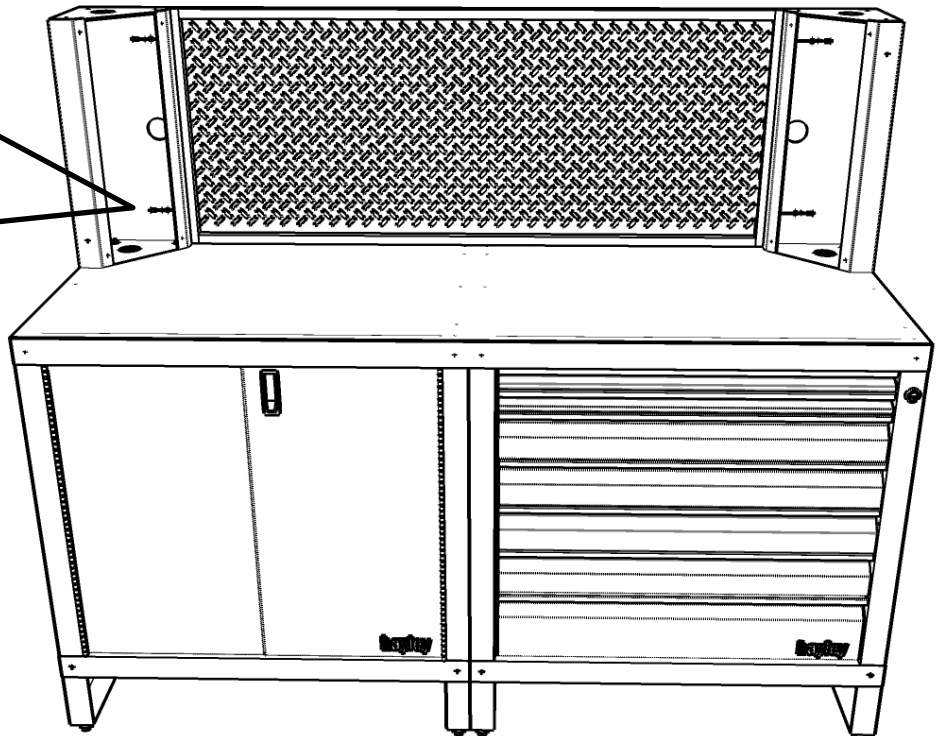
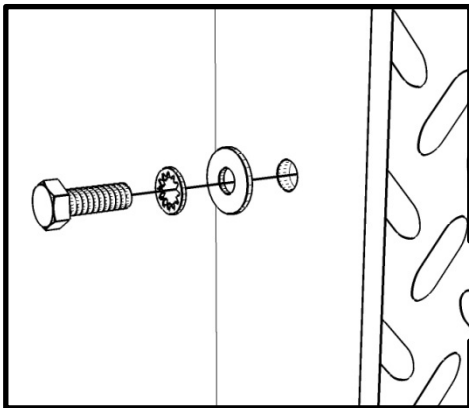
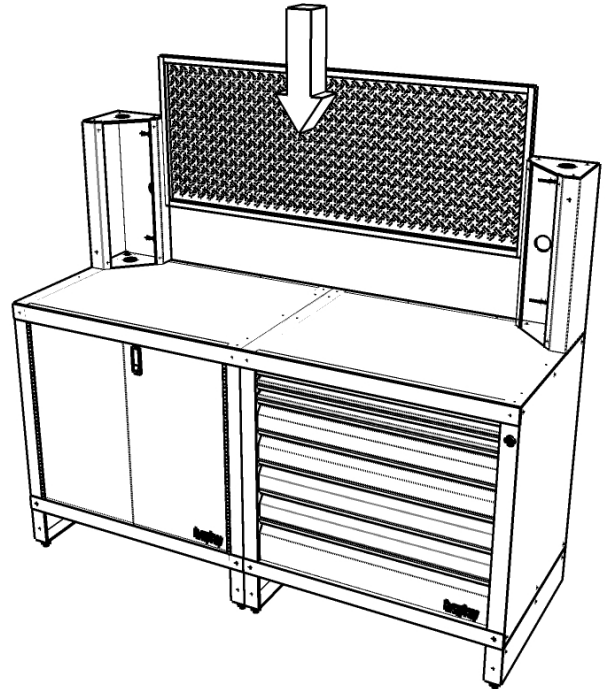
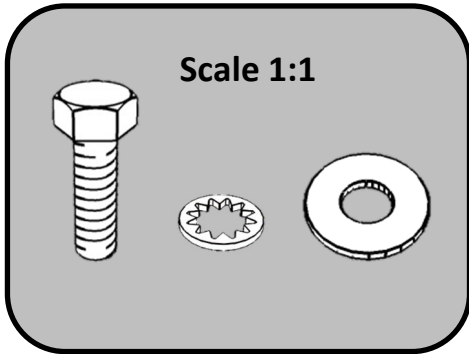
Step 3

Remove face plate and screws from column and place them to the side. Position columns so that the hole in the side of the column is to the back of the unit. Attach columns with hardware shown below. Feed bolts through the base of the column into the threaded holes provided in the countertop. Repeat this step for every column you have in your configuration.



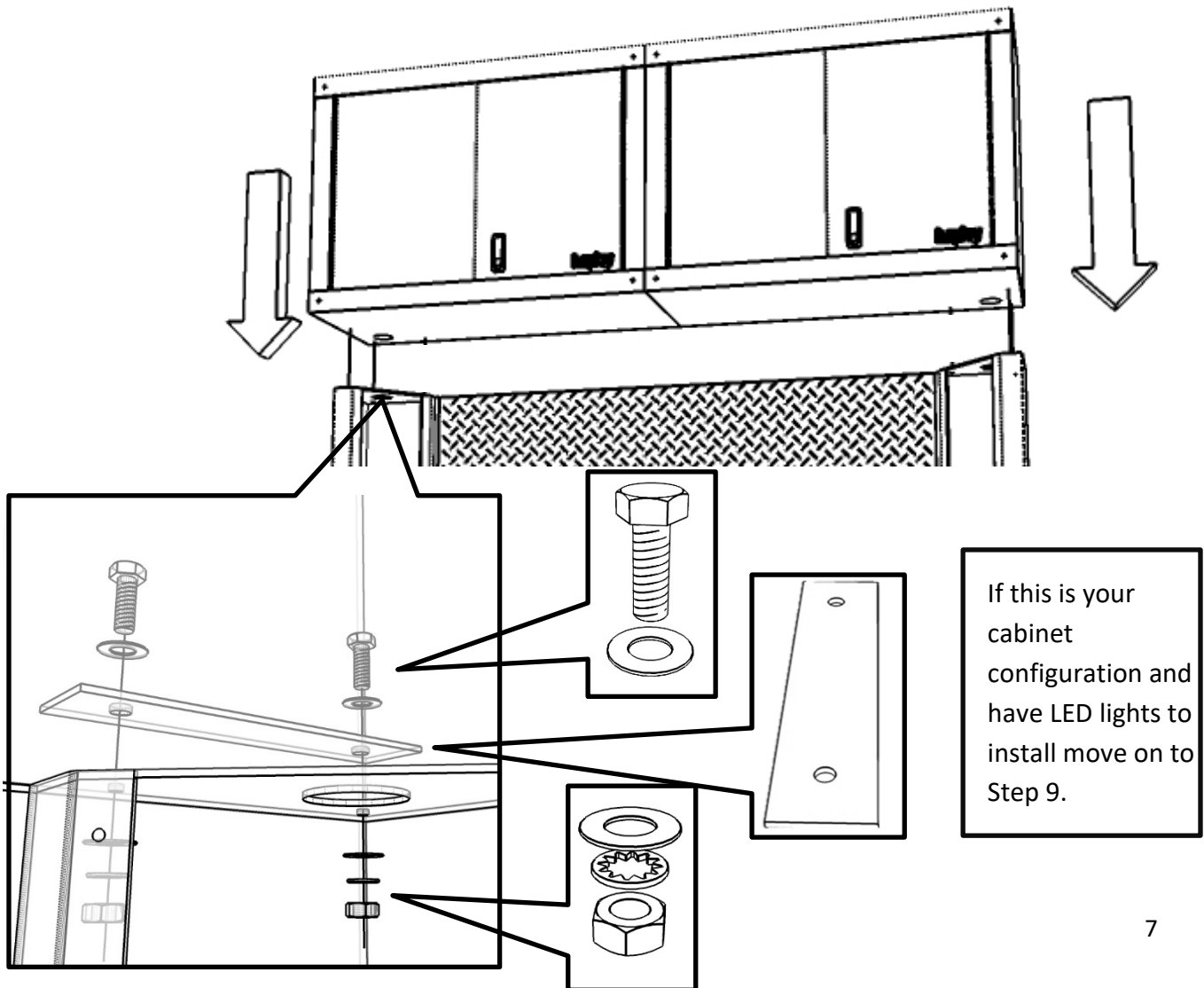
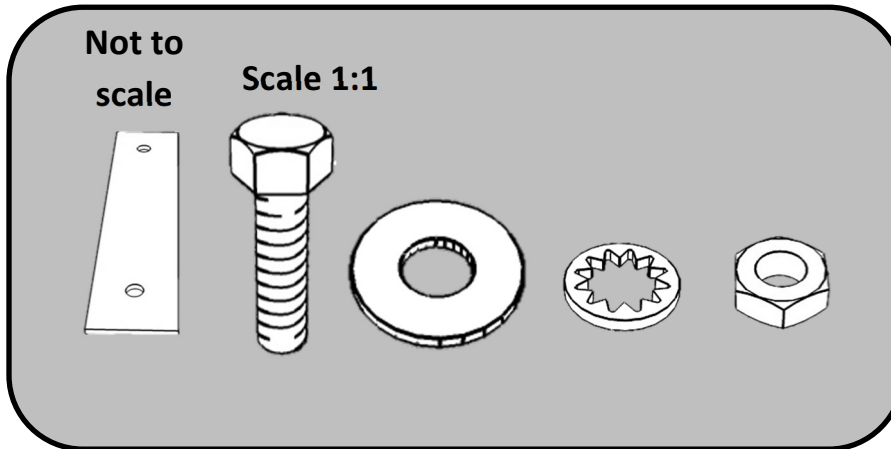
Step 4

Position backsplash in place between the two columns. Attach it with the hardware shown below. Bolt through side of column into threaded hole provided in the frame of the backsplash. Repeat this step for each backsplash you have in your configuration.



Step 5

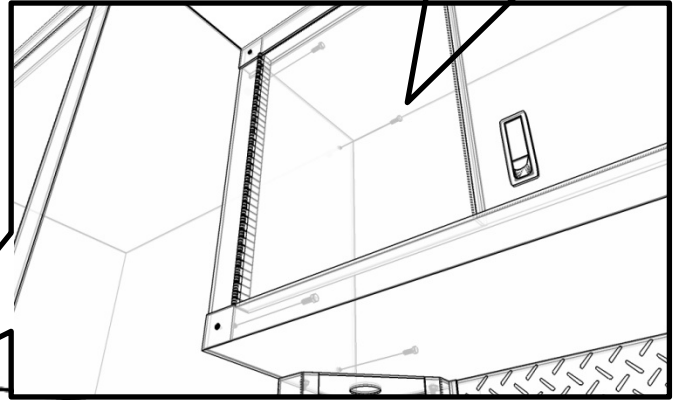
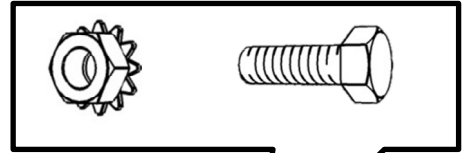
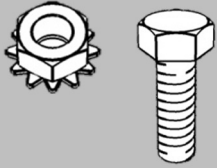
Attach the upper cabinets to the columns using the hardware shown below. Open the doors of the uppers and feed the bolts down through one set of washers, rectangular plate and bottom of the cabinet into the top of the column. Attach the washer, lock washer and the nut to the bolt on the underside of the column. Repeat this step for each column.



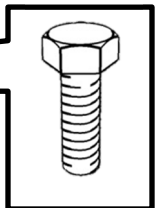
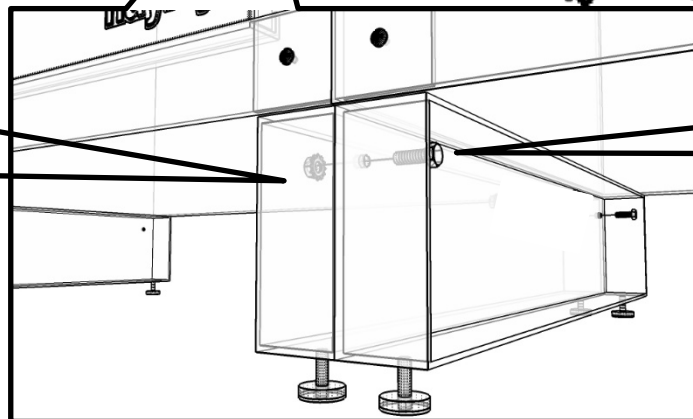
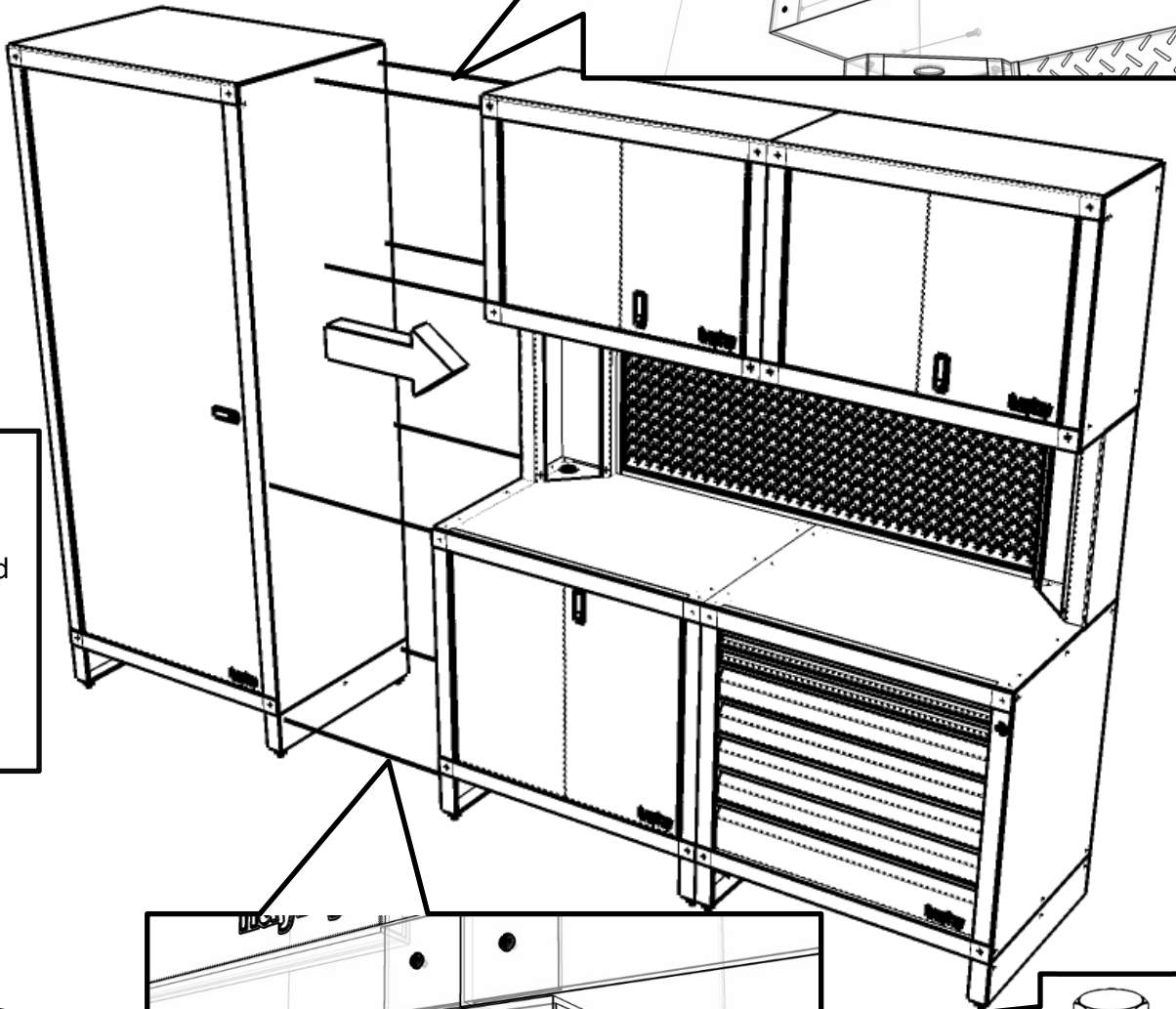
Step 6

Move closet into position. Hinges of the closets are located to the outside of the configuration. Use hardware shown below to connect the closet to the upper and lower using the holes provided. Repeat this step for each closet or module in the configuration.

Scale 1:1



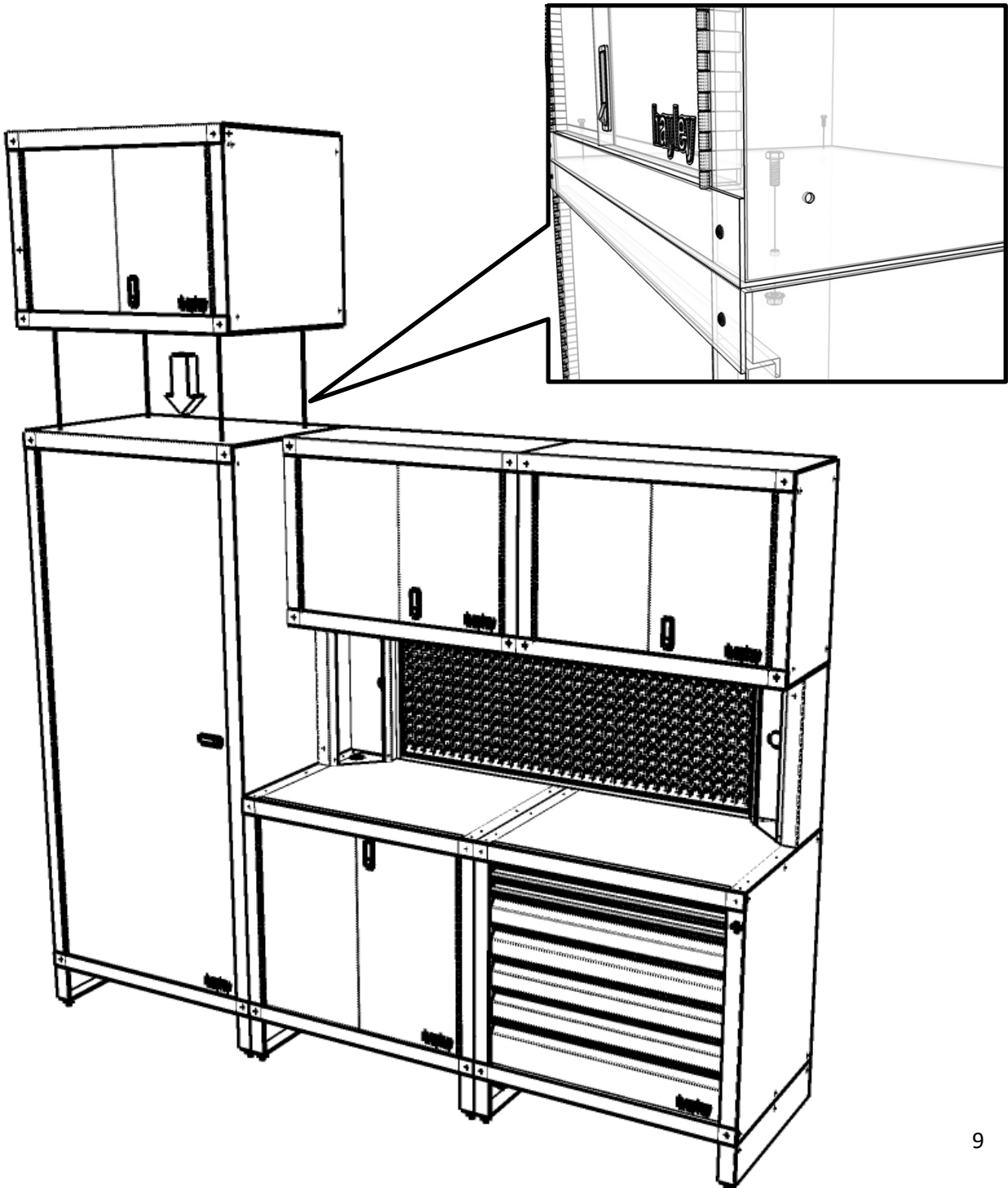
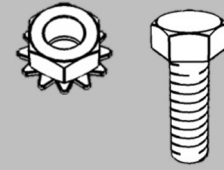
If this is your cabinet configuration and have led lights to install move on to Step 9.



Step 7

If you have a second row of uppers install the single cabinet over the closet first. Use the hardware shown to fasten the upper to the top of the closet.

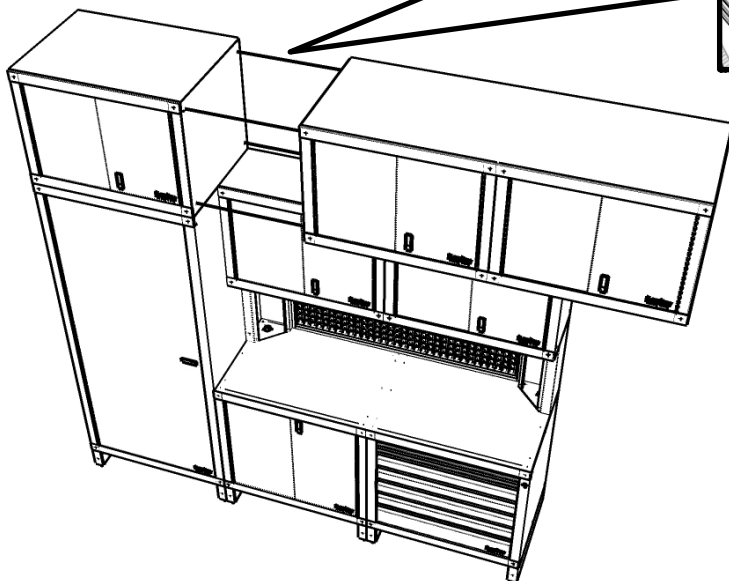
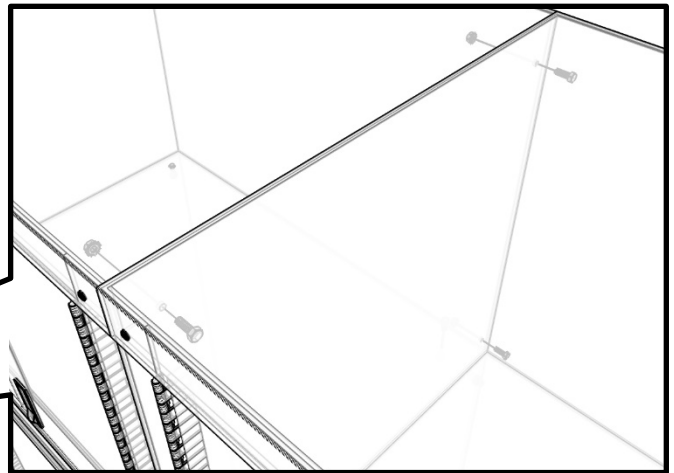
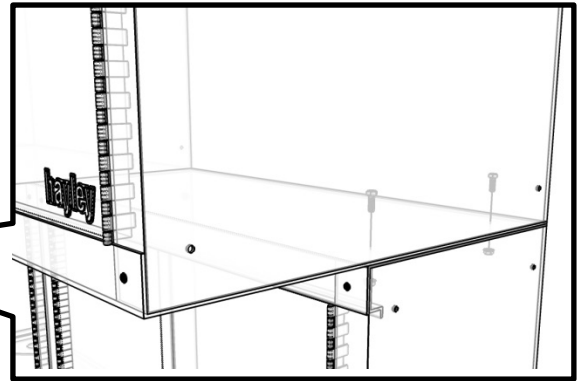
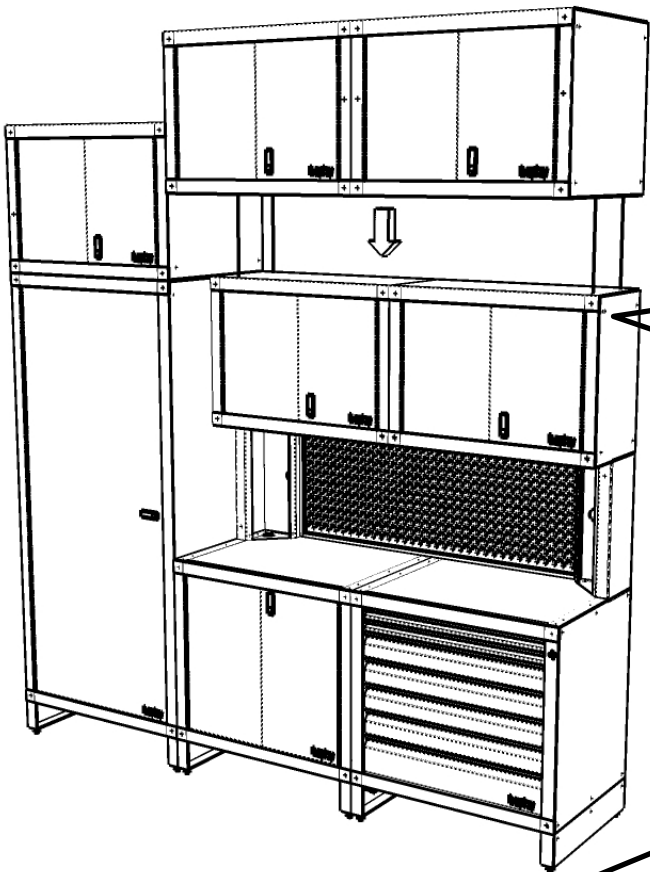
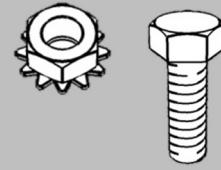
Scale 1:1



Step 8

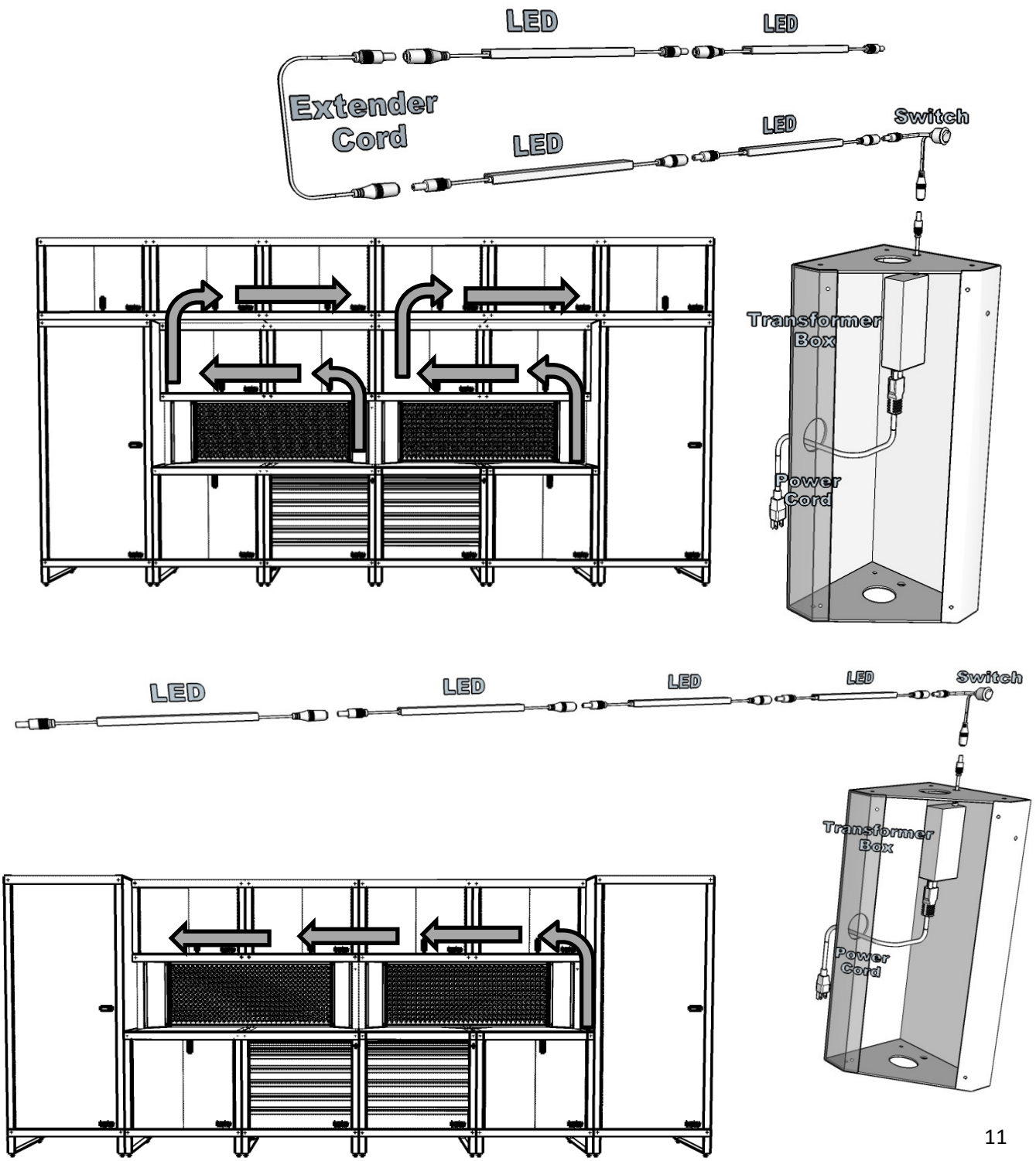
Attach the second row of uppers over the first set of uppers. Use the hardware shown to secure each set of second row uppers to the top of the first row of uppers. Attach these uppers to the upper over the closet using four sets of nuts and bolts through the side of the cabinet. Repeat this step for all second row uppers working from one side to the other.

Scale 1:1



Step 9

Feed the plug out the back of the column as shown and connect the power cord to the transformer box. Pass the cord from the transformer box through the hole at the top of the column and bottom of the upper cabinet. Connect this cord to the female end of the switch. The male end of the switch is then connected to the LED light bars. Connect the LED light bars together. If you have a second row of uppers use the extender cord to connect the second row upper lights. If you only have one row of uppers no more than four cabinets wide you will be able to run the whole unit off of one switch. From the switch connect the LED light bars together in a row.

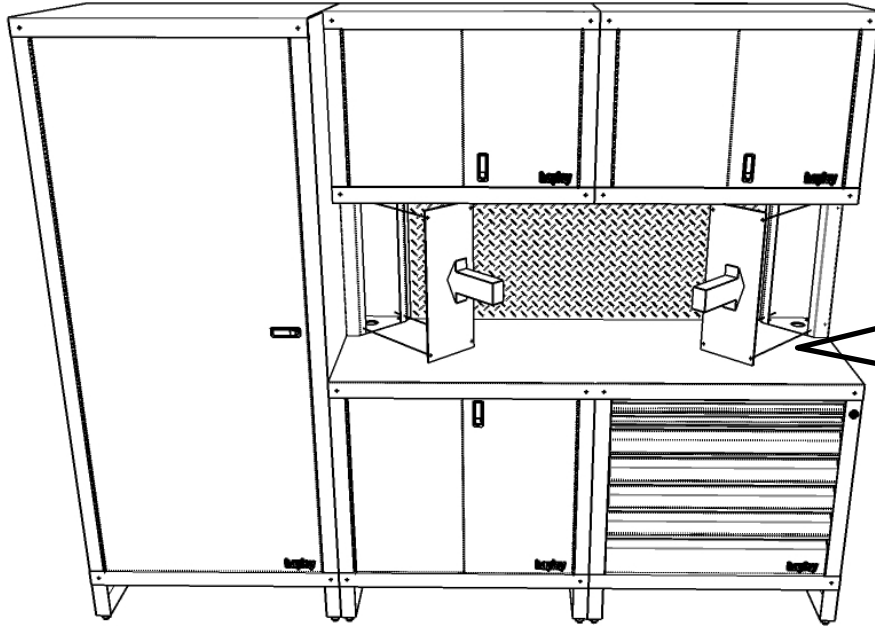


Step 10

Re attach the face plates of the columns using the screws that you removed in step 3.

Scale 1:1

4x



Step 11 (Option)

If you have ordered your configuration with kick plates install them now. Use the hardware shown to attach each kick plate to the base of each cabinet.

Scale 1:1

