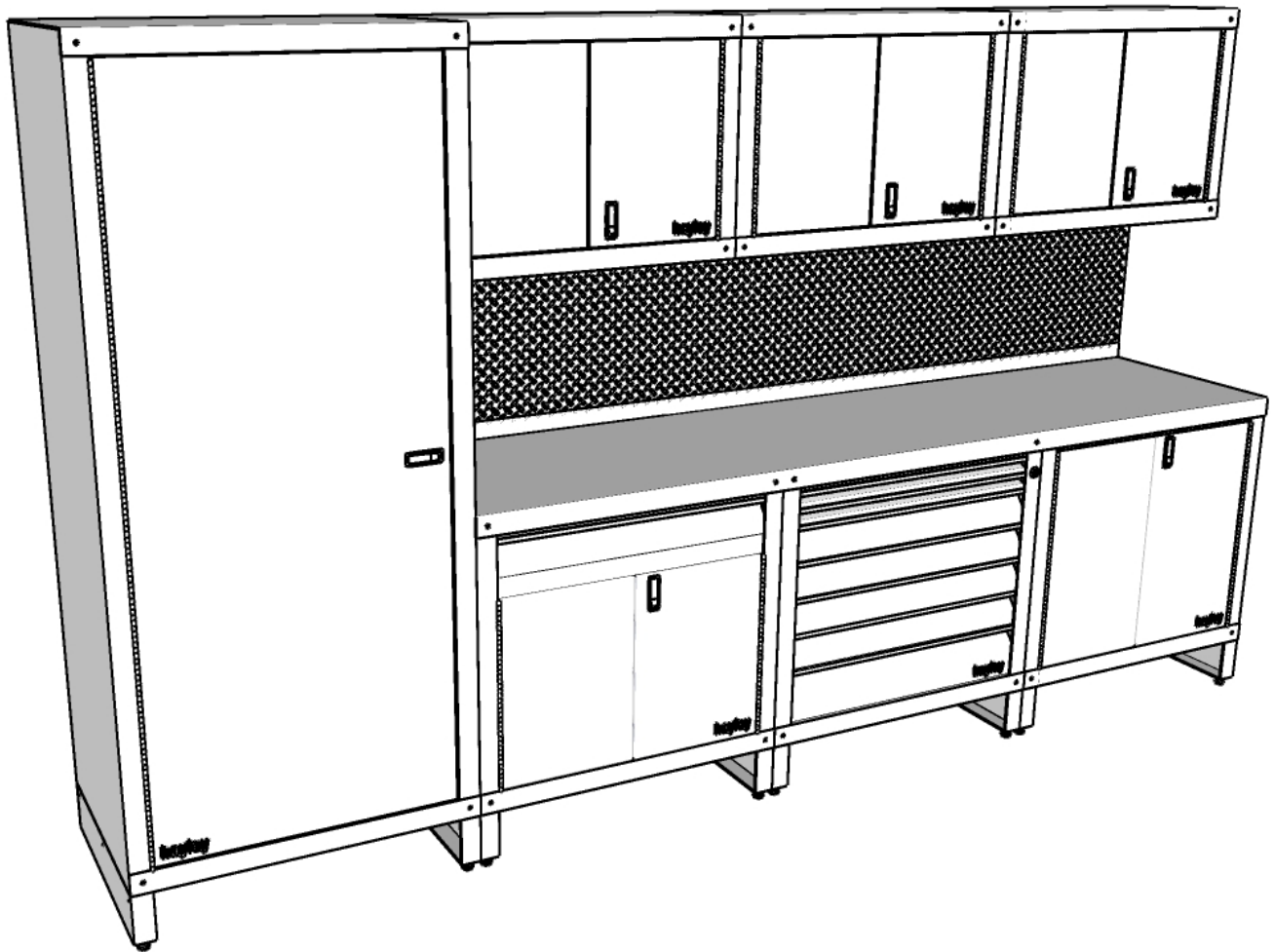


Assembly Instructions



Contact Us

If you have any questions or you are having difficulty with the installation, please feel free to contact us:

Phone: 1 888 279 4101

www.cabinetsbyhayley.com

Required Tools:

- 2 – 7/16" Wrenches
- 1 – #2 Phillips Screw Driver
- 1 – #3 Robertson Screw Driver
- 1 – Ratchet Wrench
- 1 – 7/16" Socket
- 1 – 1/2" Socket
- 1 – Stud Finder
- 1 – Pencil
- 1 – Flat Head Screw Driver
- 1 – Level
- 1 – Straight piece of 2x4

WARNING!!

All Hayley cabinet units must be securely anchored to studs or other structural wall components. Even though Hayley cabinets are designed to stand alone, failure to anchor them may result in serious injury or death and voids any and all product warranties and manufacturer liability.

Suggested Additional Tools:

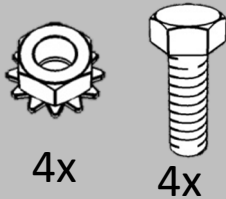
- 1 – Cordless Drill with Robertson Bits
- 1 – Ratchet Wrench
- 1 – 7/16" or 11mm socket
- 1 – 7/16" or 11mm Gear Wrench

Hardware Bag

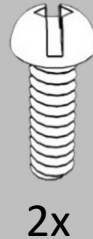
All hardware is based on a per cabinet basis

Scale 1:1

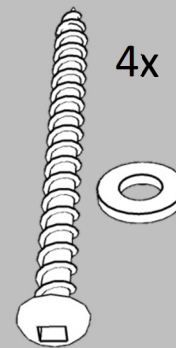
Hardware used to attach adjacent cabinets together.



Hardware used to attach countertop.

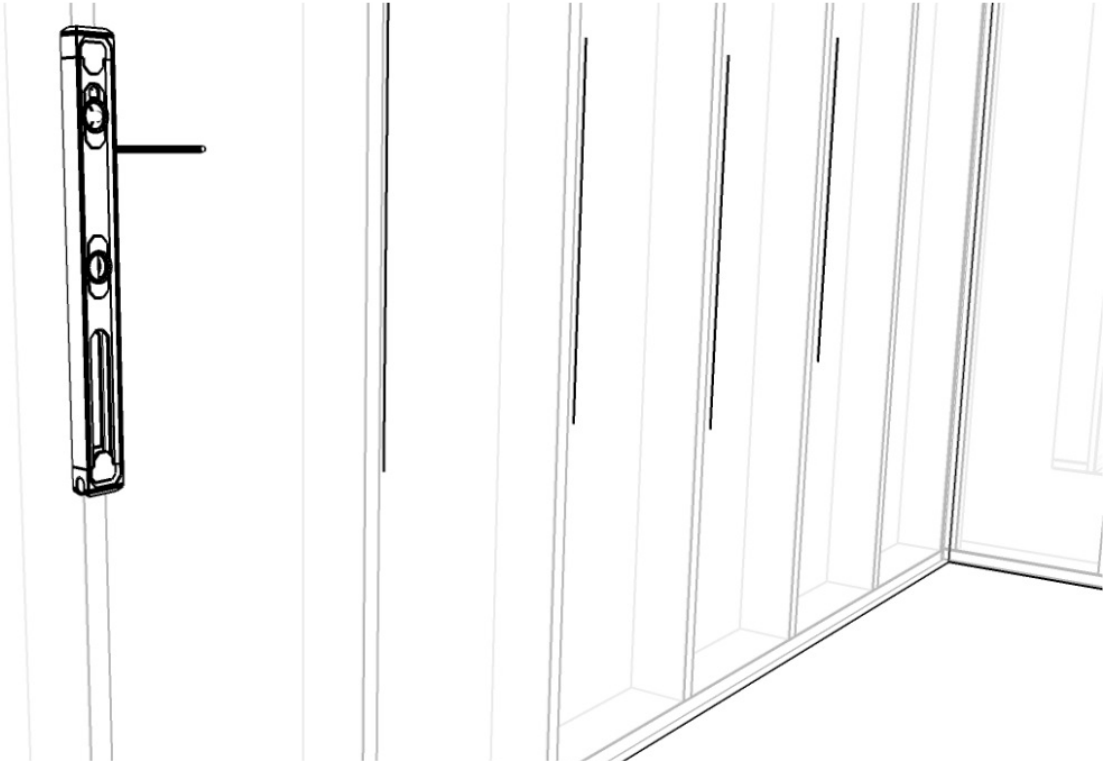


Hardware used to attach cabinets to wall studs



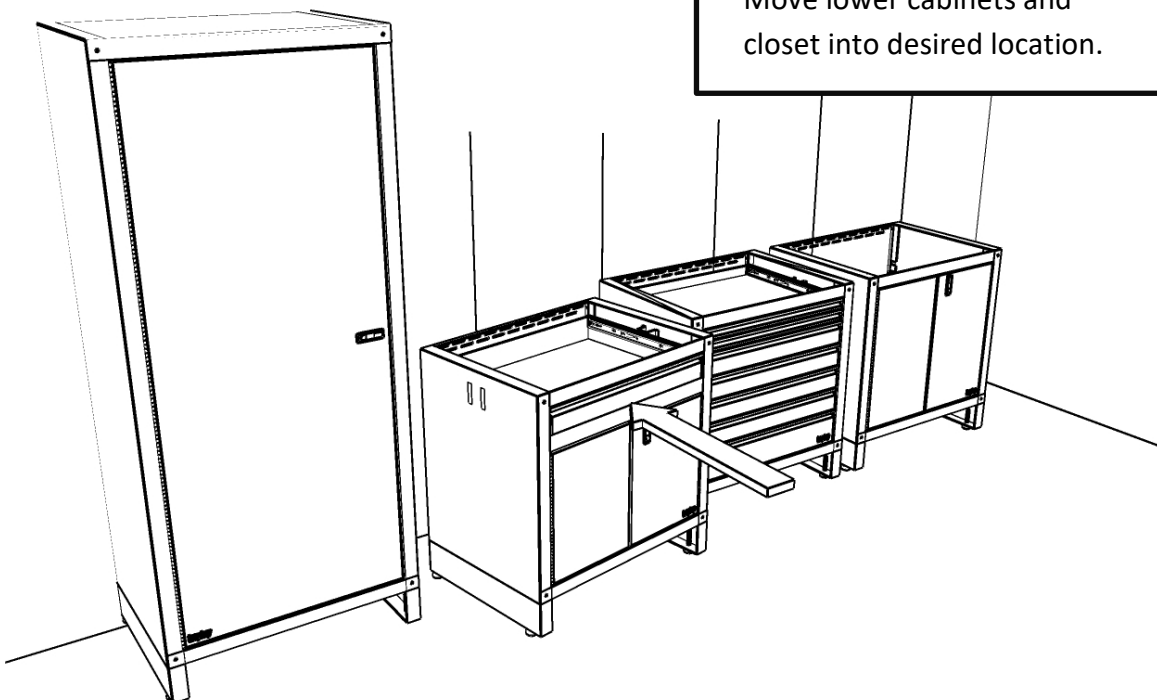
Step 1

Locate the wall studs using a stud finder. Draw vertical pencil lines in the centre of each stud to the top of your proposed cabinet system.



Step 2

Move lower cabinets and closet into desired location.



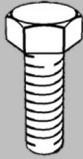
Step 2

Use the hardware shown to connect all of the lower cabinets and closet.

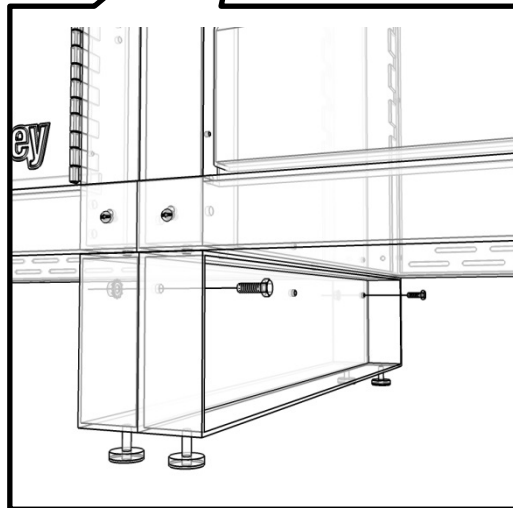
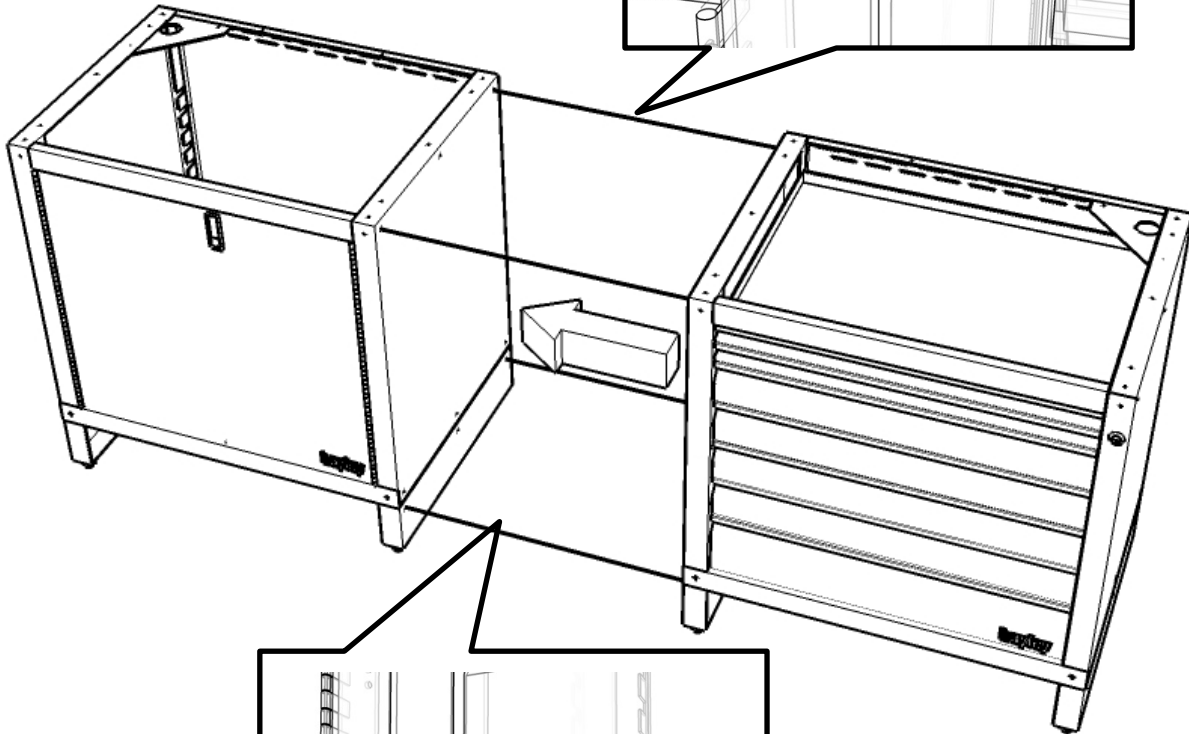
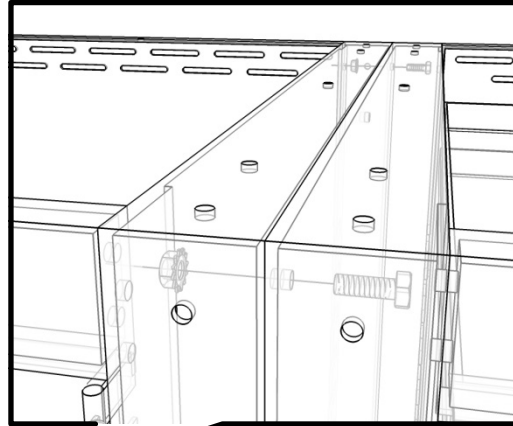
Scale 1:1



4x

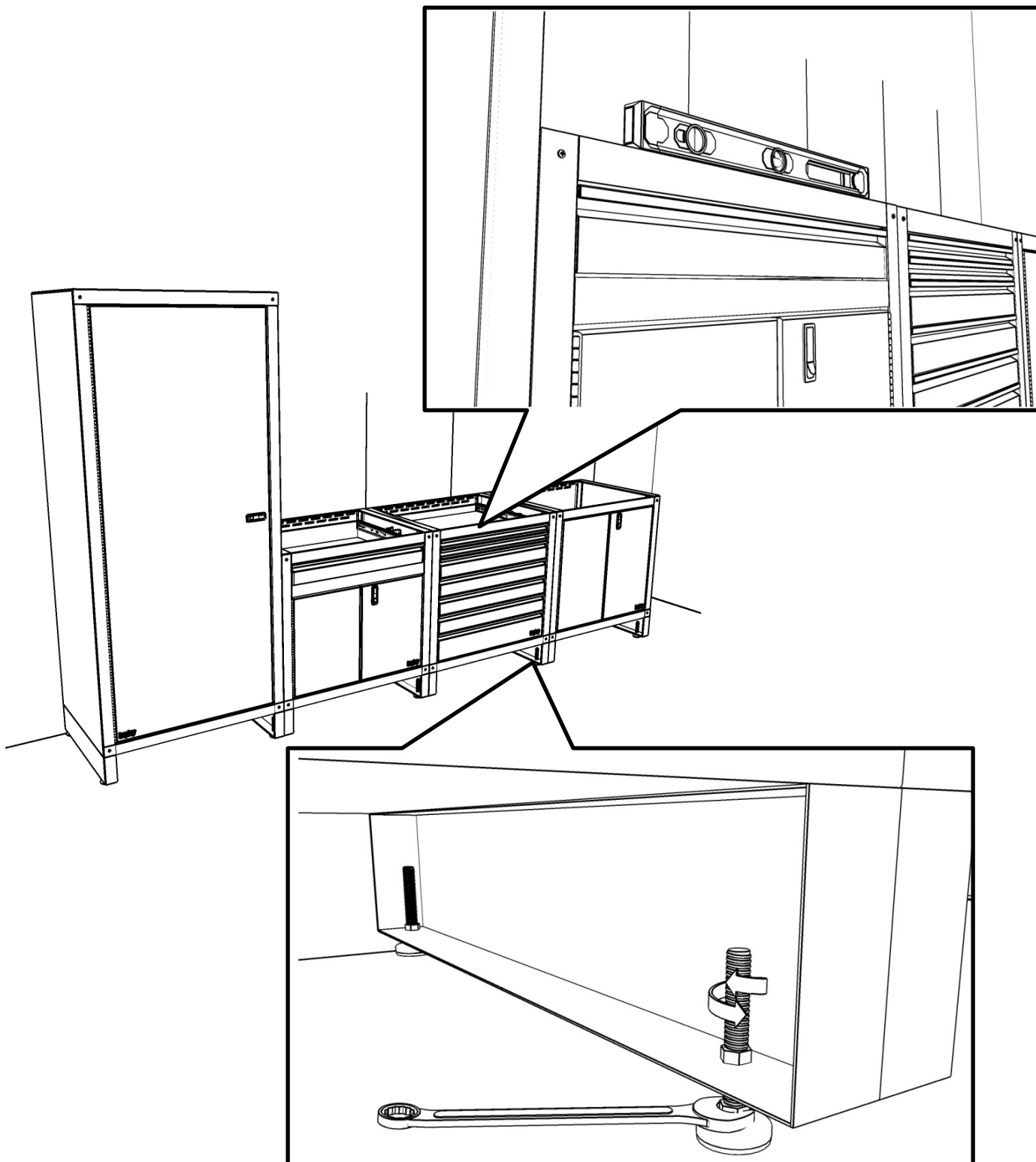


4x



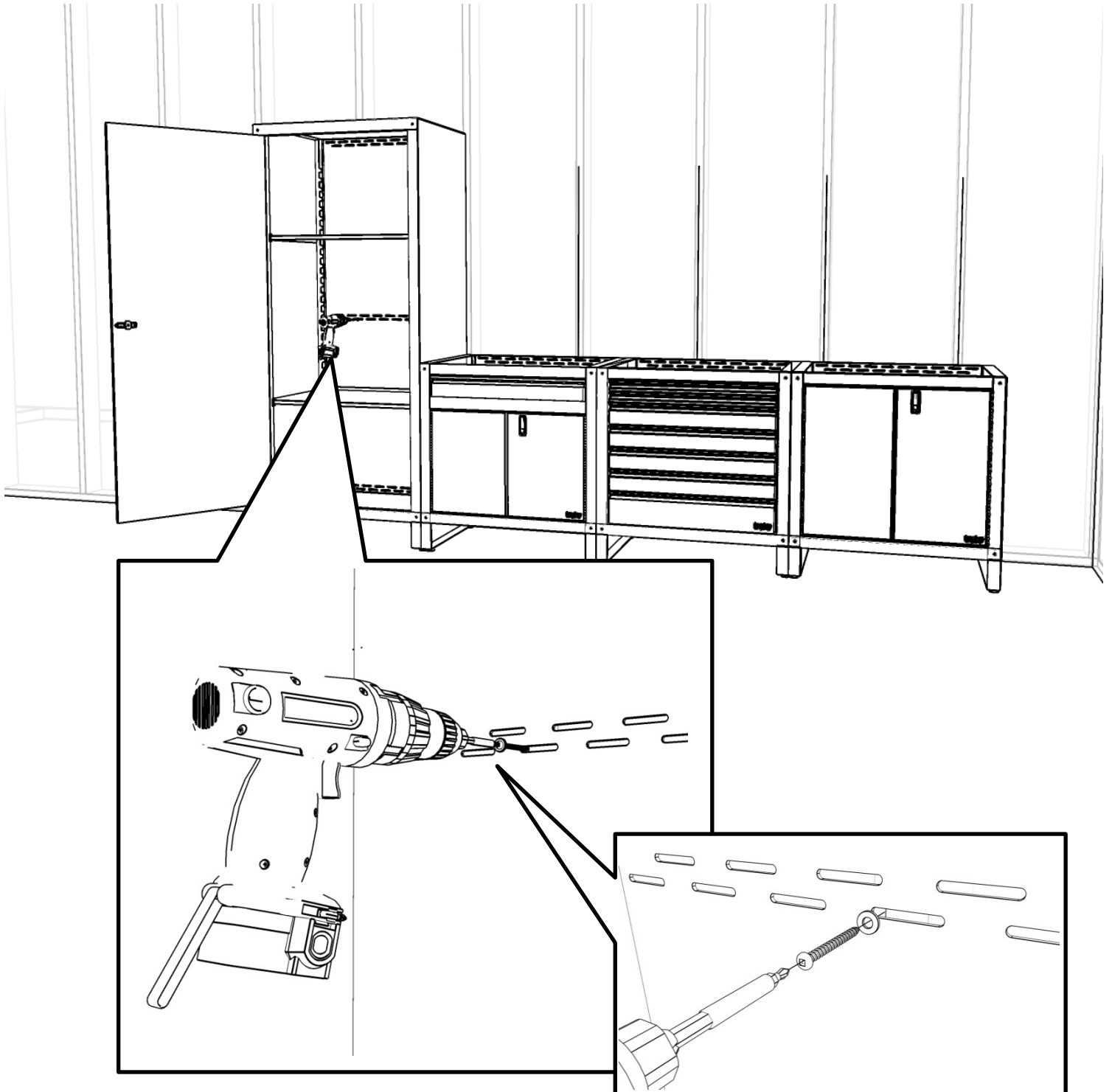
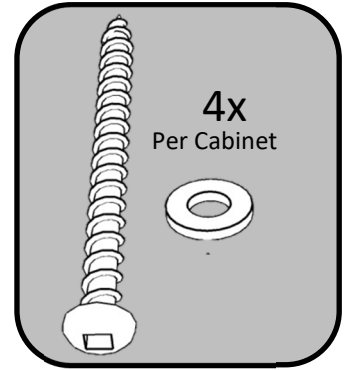
Step 3

Once lower cabinets and closets are combined, level the unit in place. Make sure cabinet legs are adjusted to where they are touching the floor. This can be done by hand with final adjustments made with a wrench.



Step 4

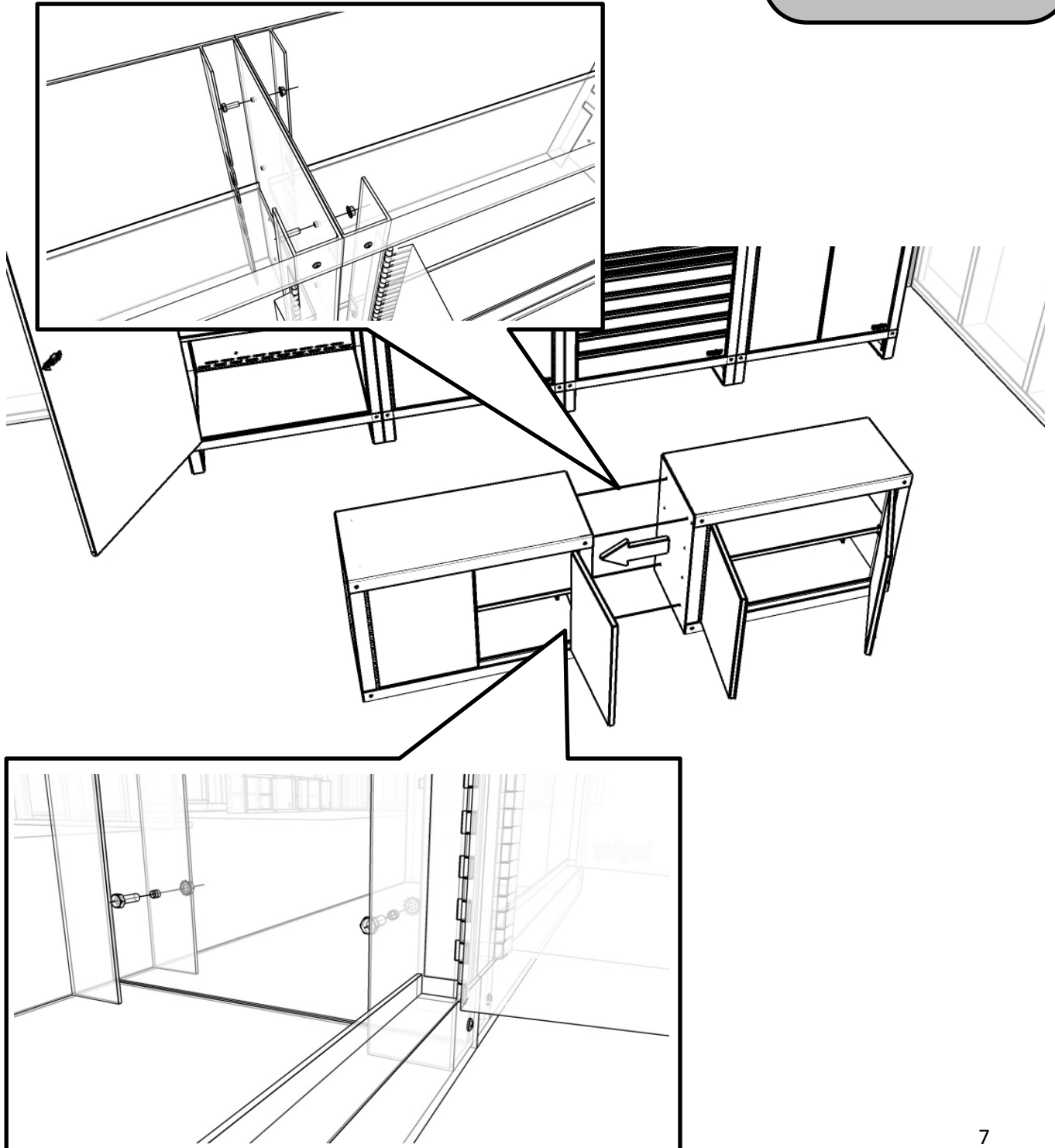
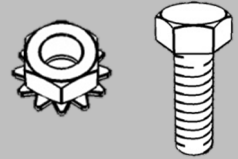
With cabinets in place and level, look through slotted holes in the back of the cabinet and find the pencil lines indicating where the studs are. Make sure the back of the cabinet is flush against the wall. Use the hardware shown and a screw driver to secure the cabinets to the studs. Close doors slowly and check that they clear the frames. You may need to loosen the screws and shift the cabinets slightly to ensure the door closes properly with equal clearance top and bottom. Refer to the back of these instructions for more information on how to achieve proper door clearances.



Step 5

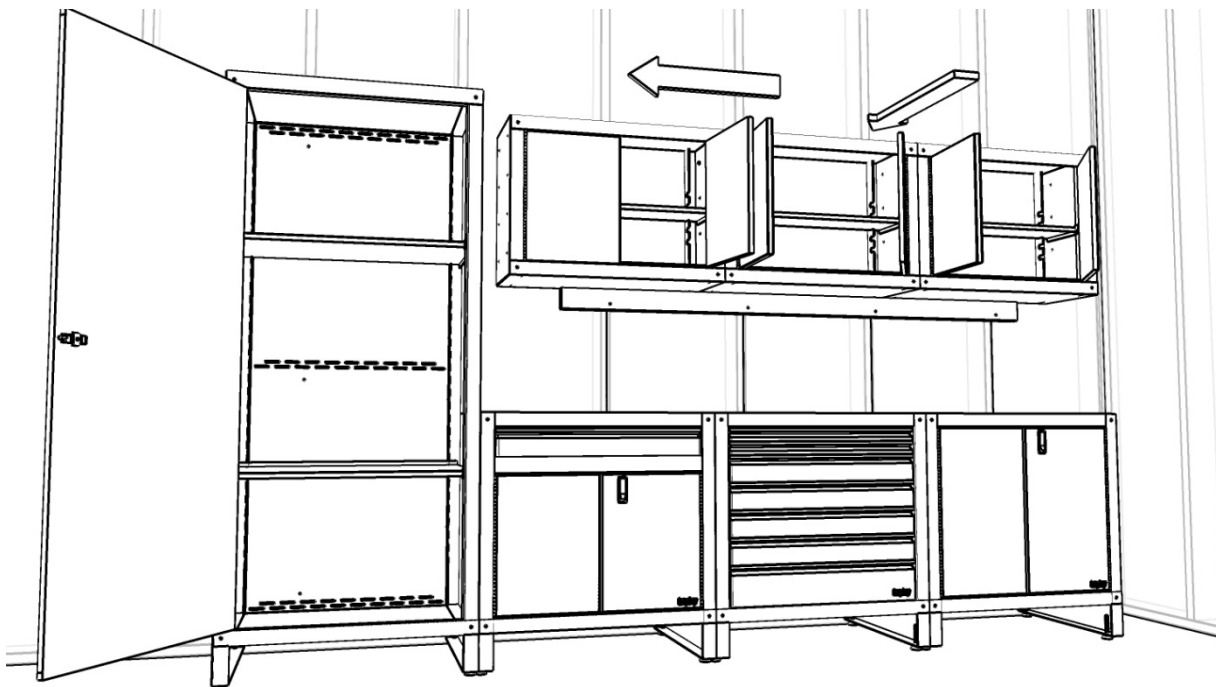
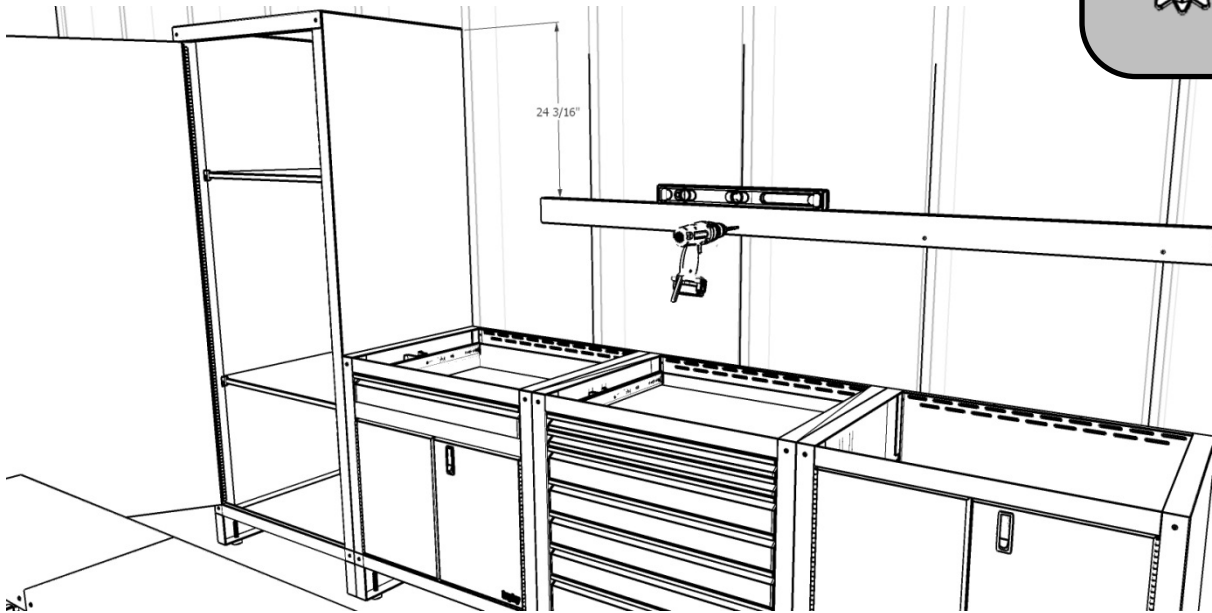
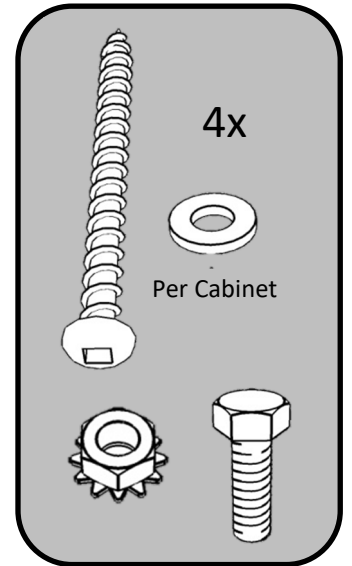
Place all upper cabinets on a level surface. Bolt together uppers making sure that the front, top, and bottom are flush to each other. Close the doors slowly and make sure the doors have equal clearances top and bottom.

4x
Per Cabinet



Step 6

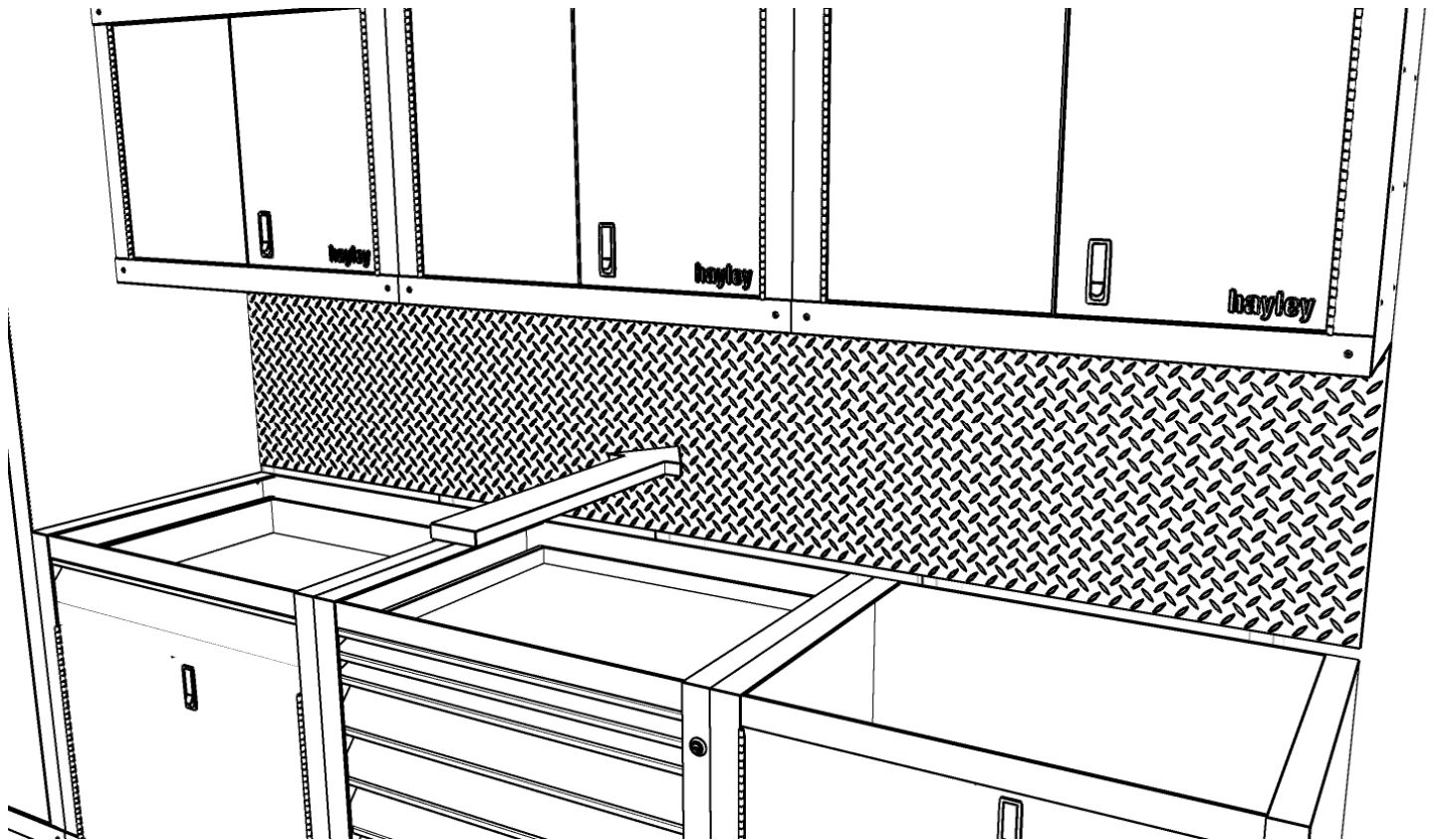
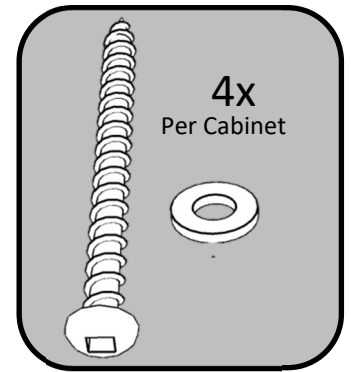
Mount a straight piece of 2x4 to the wall to make sure that it is level. Install 2x4 at proper height. To figure this out measure down the height of the upper cabinets plus $\frac{3}{16}$ ". Ex. 24" upper cabinets you would install wood ledger $24 \frac{3}{16}$ " from the top of the closet. Lift upper cabinets and rest them on the 2x4 and slide them into place. Use the hardware shown bolt the upper cabinets to the closet. Using a screw driver attach the upper cabinets to the wall studs marked by pencil lines, using the hardware shown. Close doors slowly and double check the clearances. Loosen the screws and shift and shim cabinets as necessary. Retighten screws.



Step 8

Install checker plate flush with bottom of the cabinet uppers.

Note: If your system has at least 1 closet, the checker plate will be a minimum of .25" longer to close any gap at the edge of the closet.



Step 9

Add the counter top with the holes facing to the front. Line up the counter holes with the matching holes in the cabinet. Insert the round headed 3/4" bolts into the front counter.

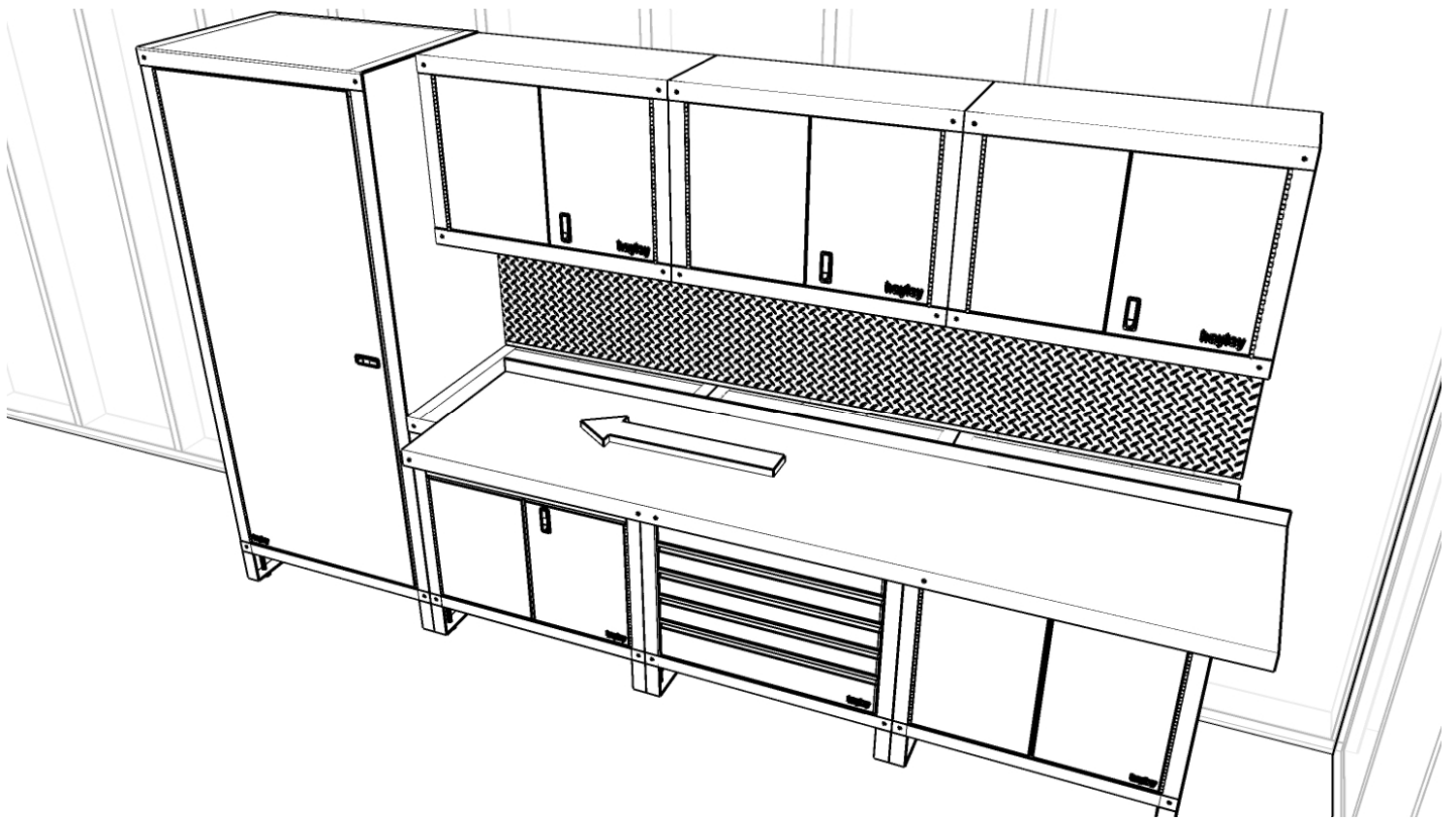
CLEANING – We recommend using a glass cleaner or a non-abrasive cleaner on a soft clean rag or towel.

Celebrate your new cabinets by inviting your friends and family over to show off your new Cabinets by Hayley garage!

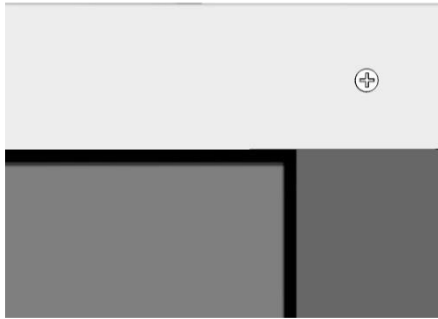


2x

Per Cabinet

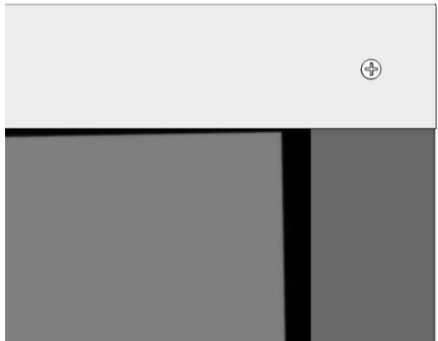


Trouble Shooting



Good!

This is what you want your doors to look like, equal spacing around the door



How to fix a door that is leaning into the hinge

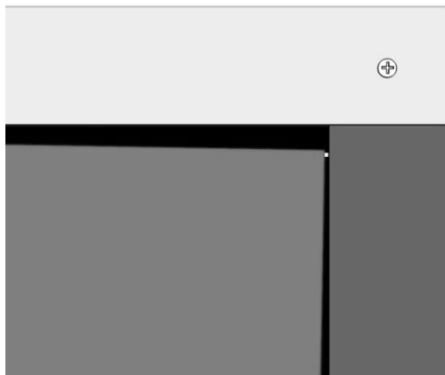
Lowers

- Lower left front leg
- Raise right front leg

Uppers

- Shim the top back left
- Loosen the bottom right screw

Note: This is for a left hinged door. Reverse instructions if the hinge is on the right.



How to fix a door that is leaning away from the hinge

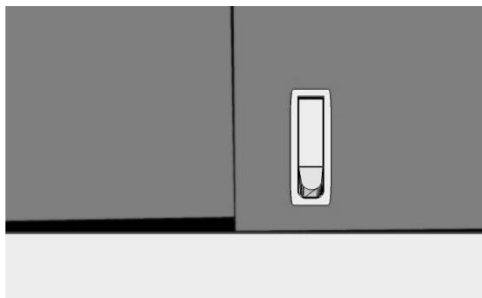
Lowers

- Raise left front leg
- Lower right front leg

Uppers

- Shim the top back right
- Tighten bottom right screw
- Loosen the bottom left screw

Note: This is for a left hinged door. Reverse instructions if the hinge is on the right.



How to fix an upper cabinet leaning to the left

- Shim back top left
- Tighten back top right
- Shim bottom right
- Tighten bottom left

Note: Reverse instructions if cabinet is leaning to the right.