



Thank you for your recent purchase of a Cabinets by Hayley garage cabinet system. You are about to experience the best made cabinets that you can purchase. Cabinets by Hayley are designed for beauty and built to last. These installation directions have been designed to provide you with an easy installation, without confusion or frustration.

Required Tools:

- 2 – 7/16" or 11mm Combination Wrenches
- 1 – #2 Robertson Screw Driver
- 1 – #3 Robertson Screw Driver
- 1 – 24" Level
- 1 – Stud Finder
- 1 – HB Soft Pencil
- 1 – Flat Head Screw Driver
- 1 - ½" Wrench

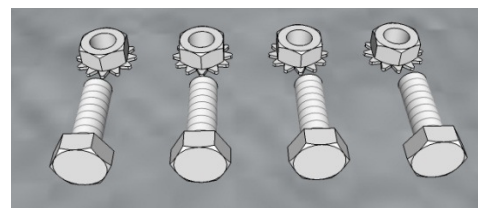
Suggested Additional Tools:

- 1 – Cordless Drill with Robertson Bits
- 1 – Ratchet Wrench
- 1 – 7/16" or 11mm socket
- 1 – 7/16" or 11mm Gear Wrench

Assembly Hardware: All hardware is based on a per cabinet basis

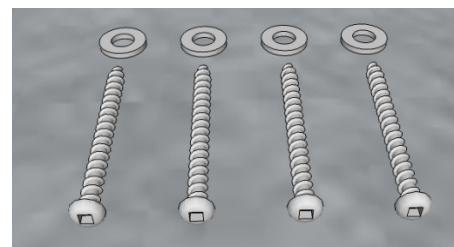
To assemble the cabinets together

- 4 – 1/4" x 5/8" Bolts
- 4 – 1/4" Locking Nuts



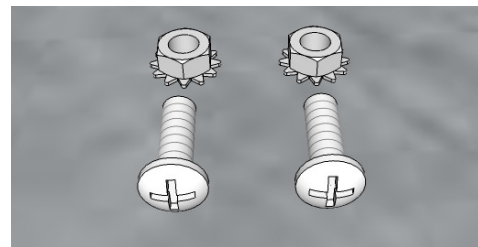
To fasten the cabinets to the wall

- 4 - #10 x 2" Machine Screws
- 4 – 1/4" Flat Washers



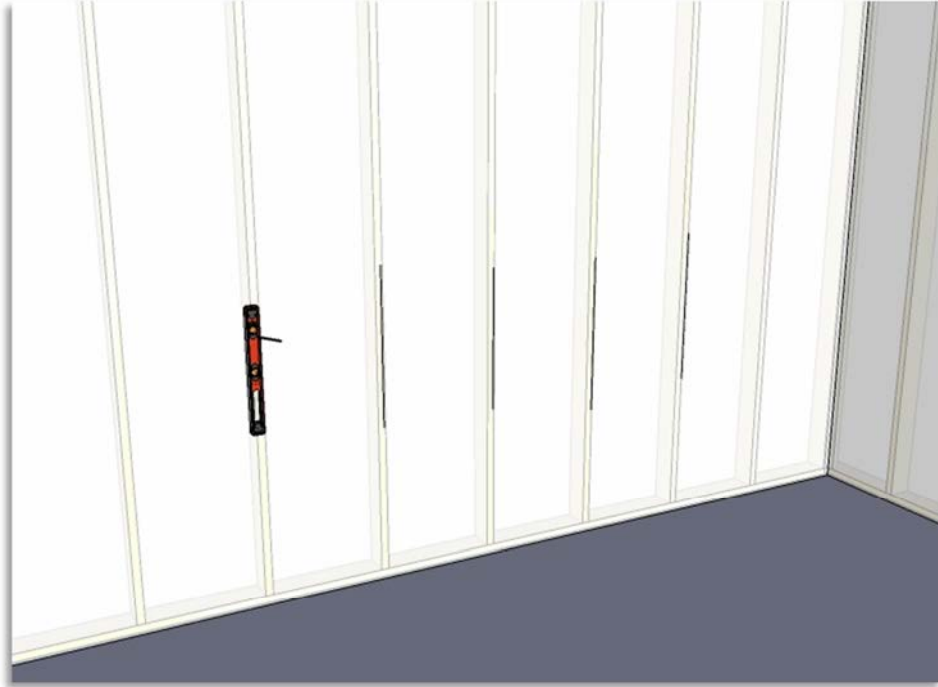
To fasten the counter top

- 2 – 1/4" x 3/4" Round Head Bolts
- 2 – 1/4" Locking Nuts



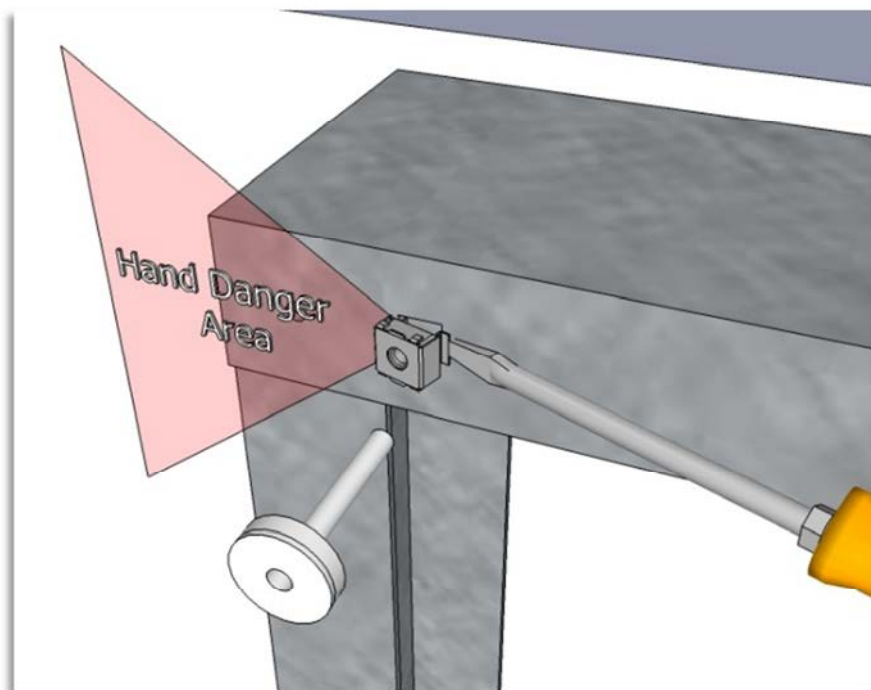
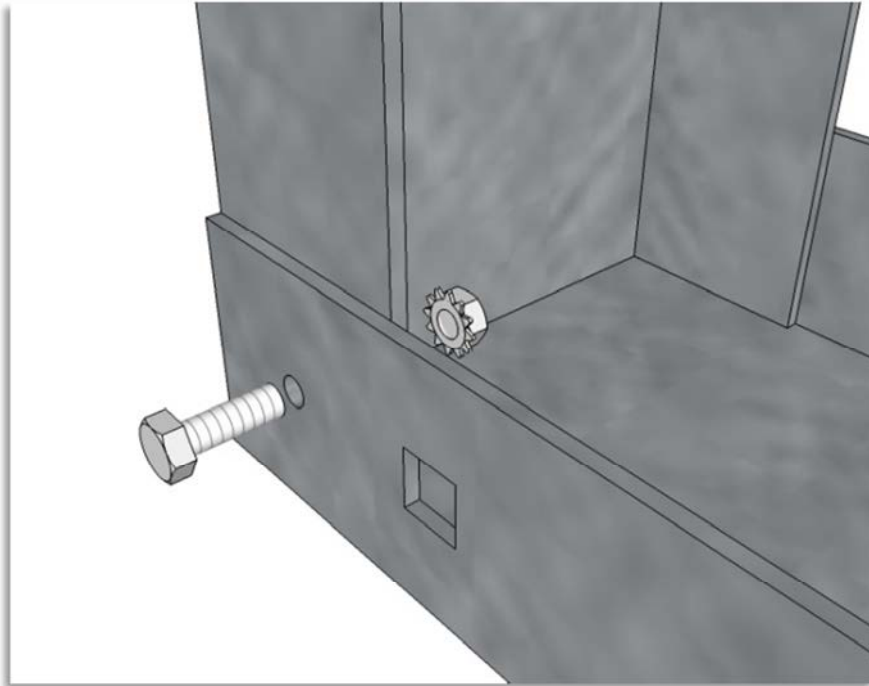
Step 1

1. Locate the wall studs using a stud finder.
2. Draw vertical pencil lines in the centre of each stud to the top of your proposed system.



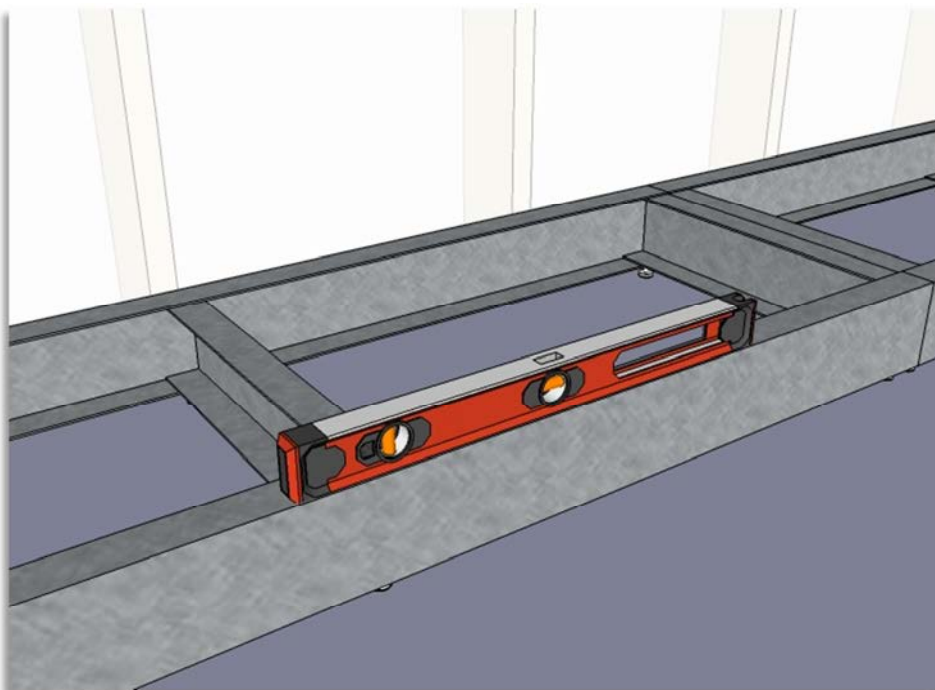
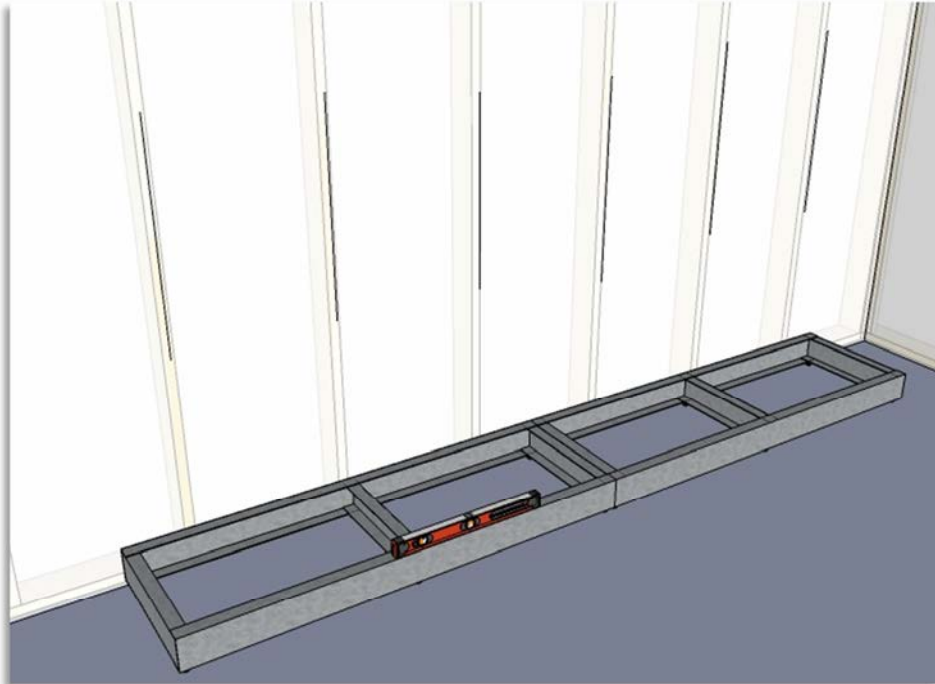
Step 2

1. Bolt 6" galvanized u channel base together.
2. Insert cage nuts into square holes with flat head screw driver.*
3. Screw legs into cage nut all the way in then back 1.5 rotations.
4. *Note: Make sure your hand is well away from possible projection path of screw driver because it had the tendency to slip off of the cage nut.



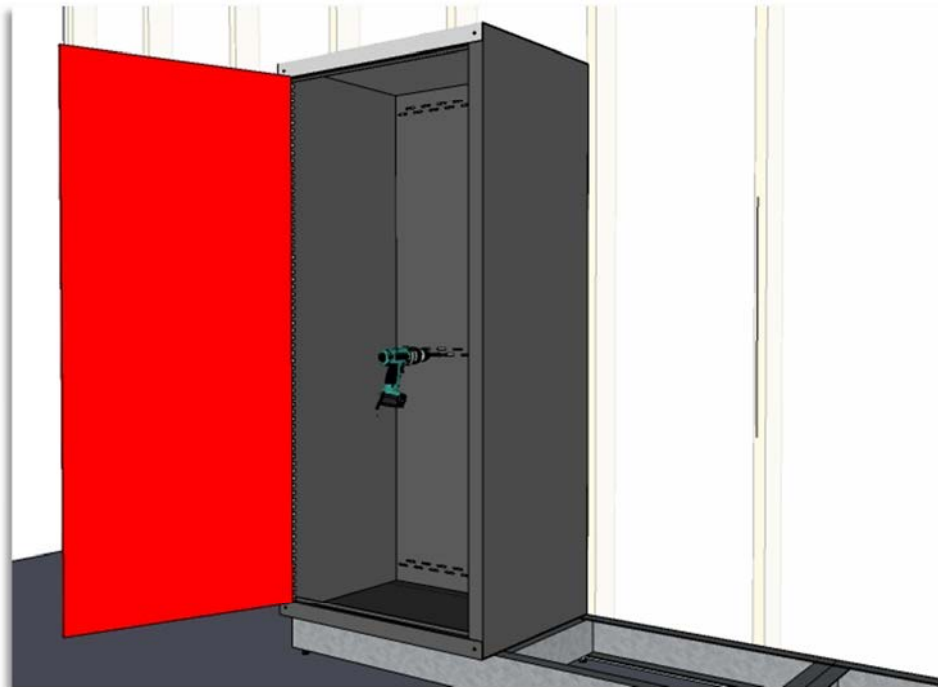
Step 3

1. Bolt all base channels together as required
2. Level the 6" Galvanized U Channel Base.
3. Note: This is the most important step in the process. Ensure the base is completely level otherwise you will experience difficulties with the balance of the installation. For best results work from the highest part of the floor and level base from that point.



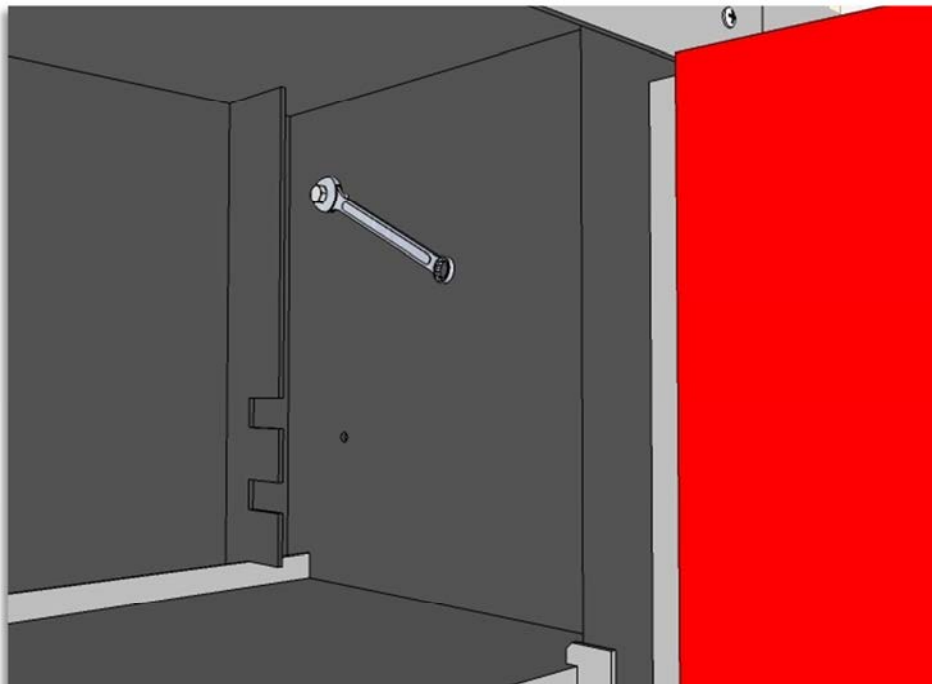
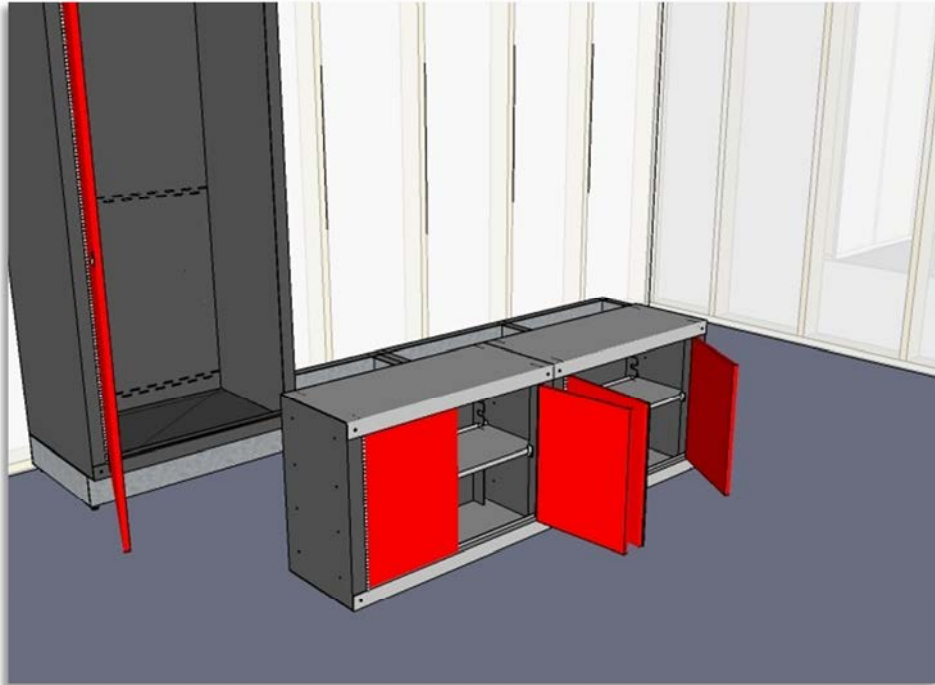
Step 4

1. Place the closet onto the level base channel. Make sure the back of the cabinet is flush against the wall
2. Look through the slotted holes in the back of the cabinet and find your pencil lines.
3. Make sure the cabinet sides are level.
4. Drive a #10 machine screw through the slot onto your line. Repeat this procedure for all four corners of the cabinet.
5. Close the door slowly and check the door clearances. You may need to loosen the screws and shift the cabinet slightly in order to ensure the door closes properly with equal clearance top and bottom.
6. Retighten the screws as required



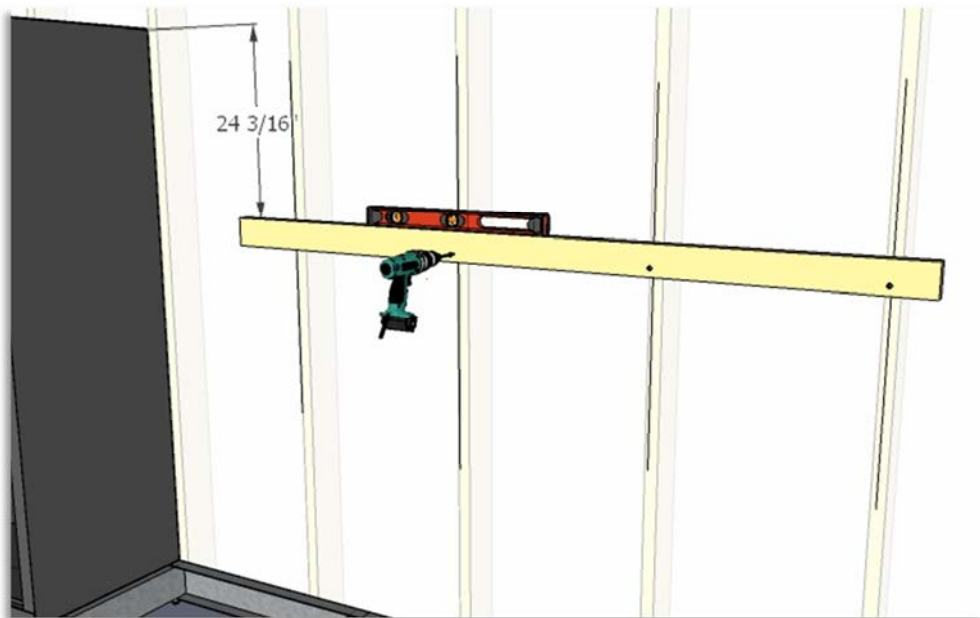
Step 5

1. Place all upper cabinets on a level surface.
2. Bolt together uppers making sure that the front top and bottom are flush to each other.
3. Close the doors slowly and make sure the doors have equal clearances top and bottom.



Step 6

1. Mount a straight piece of 2x4 to the make sure that it is level.
2. Install 2x4 at proper height. To figure this out measure down the height of the upper cabinets plus $3/16''$. Ex. 24" upper cabinets you would install wood ledger $24\ 3/16''$ from the top of the closet.
3. Lift uppers cabinets and rest them on the 2x4 and slide them into place.
4. Bolt the upper cabinets to the closet.
5. Drive #10 machine screws through the slots into your pencil lines
6. Close doors slowly and double check the clearances
7. Loosen the screws and shift and shim cabinets as necessary. Retighten screws.



Step 7

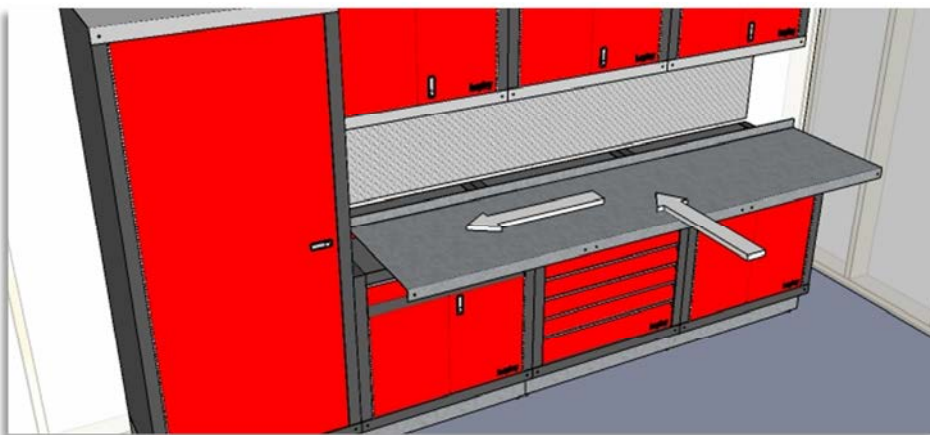
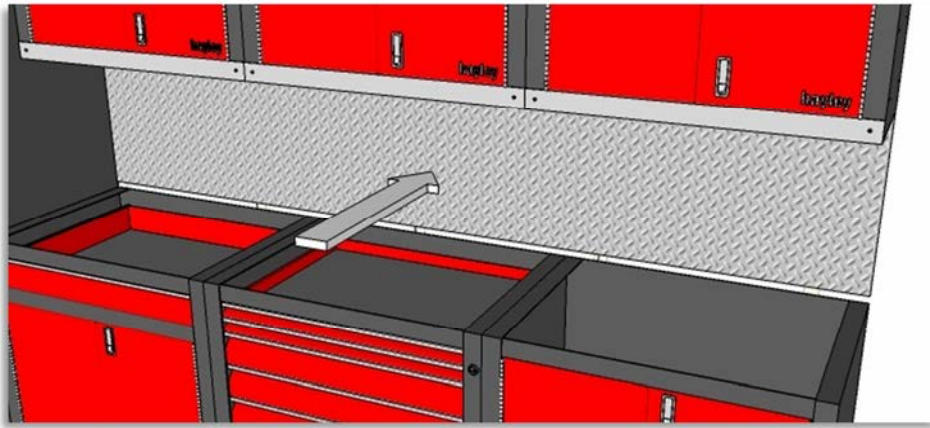
1. Place lower cabinet on level base channel. Insure that it is flush with the closet and the back wall
2. Remove the top and bottom drawer if applicable to give access to the bolt holes at the top and bottom of the cabinet.
3. Bolt the cabinet to the closet using ¼" bolts in 4 locations (2 upper and 2 lower)
4. Close the doors slowly and check the cabinet doors for equal clearance top and bottom.
5. Double check the door clearances and adjust the cabinet as required.
6. Repeat this procedure for remaining cabinets.
7. Drive #10 machine screws through the slots in the back of the cabinets into your pencil lines.
8. If you unit has a closet at each end, make sure to install in this order, base, left closet, all upper cabinets, all lower cabinets, counter top, and right closet should be last.

Note: Do not re-install the drawers until the counter top has been installed and bolted in place.



Step 8

1. Install checker plate flush with bottom of the cabinet uppers
2. Note: If your system has at least 1 closet, the checker plate will be a minimum of .25" longer to close any gap at the edge of the closet.
3. Add the counter top with the holes facing to the front. Line up the counter holes with the matching holes in the cabinet.
4. Insert the round headed 3/4" bolts into the front counter
5. All a lock nut to the inside of the cabinet and tighten.
6. Re-insert the drawers that were removed.
7. CLEANING – We recommend using a glass cleaner or a non-abrasive cleaner on a soft clean rag or towel.
8. Celebrate your new cabinets by inviting your friends and family over to show off your new Cabinets by Hayley garage!



Trouble Shooting



Good!

This is what you want your doors to look like, equal spacing around the door

How to fix a door that is leaning into the hinge

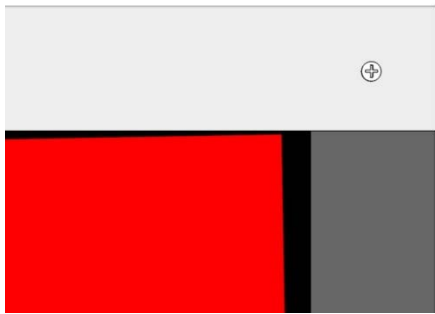
Lowers

- Lower left front leg
- Raise right front leg

Uppers

- Shim the top back left
- Loosen the bottom right screw

Note: This is for a left hinged door. Reverse instructions if the hinge is on the right.



How to fix a door that is leaning away from the hinge

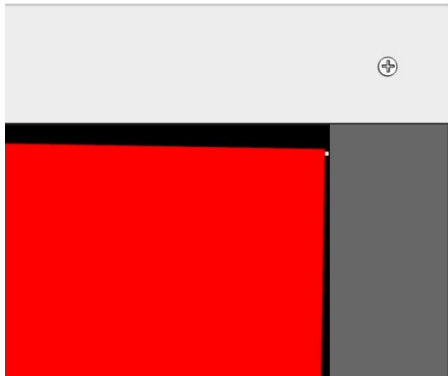
Lowers

- Raise left front leg
- Lower right front leg

Uppers

- Shim the top back right
- Tighten bottom right screw
- Loosen the bottom left screw

Note: This is for a left hinged door. Reverse instructions if the hinge is on the right.



How to fix an upper cabinet leaning to the left

- Shim back top left
- Tighten back top right
- Shim bottom right
- Tighten bottom left

Note: Reverse instructions if cabinet is leaning to the right.

