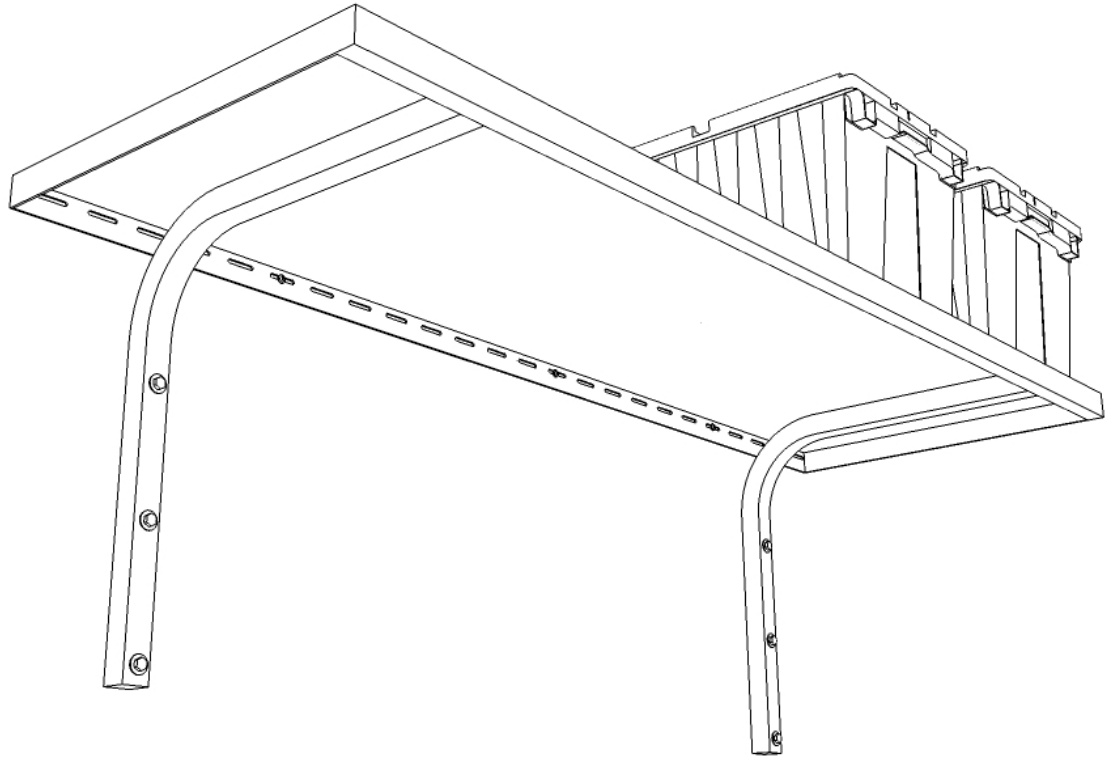
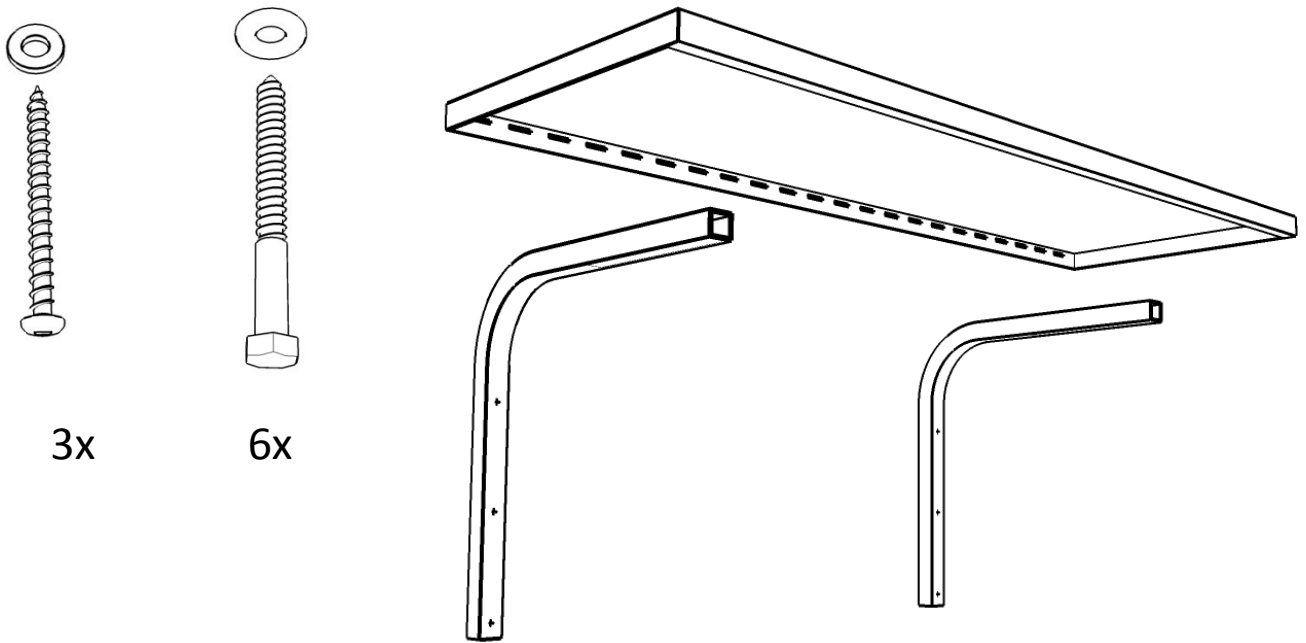




WS 7224

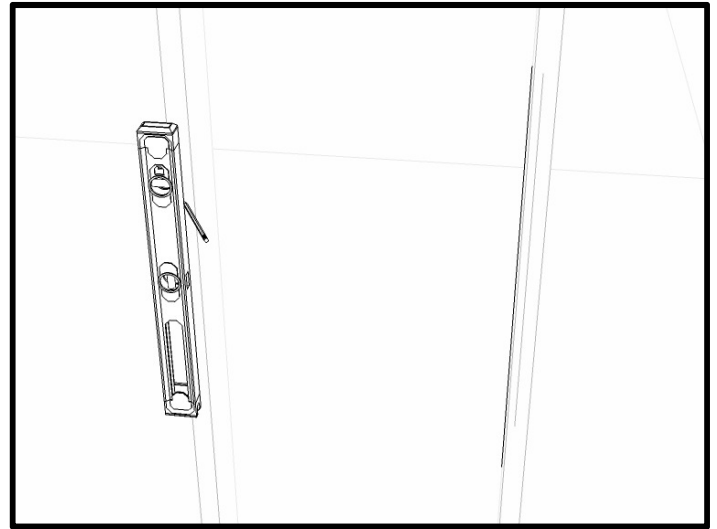
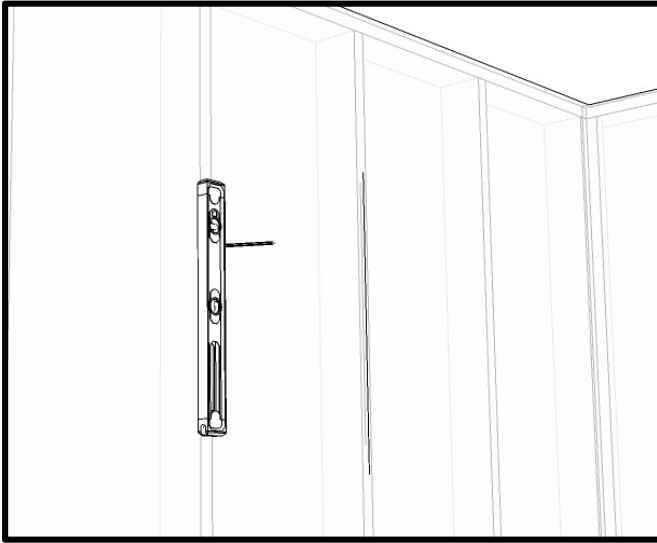




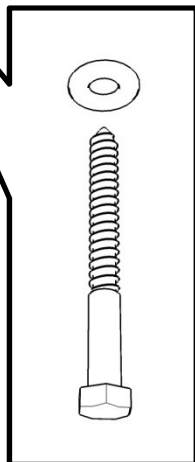
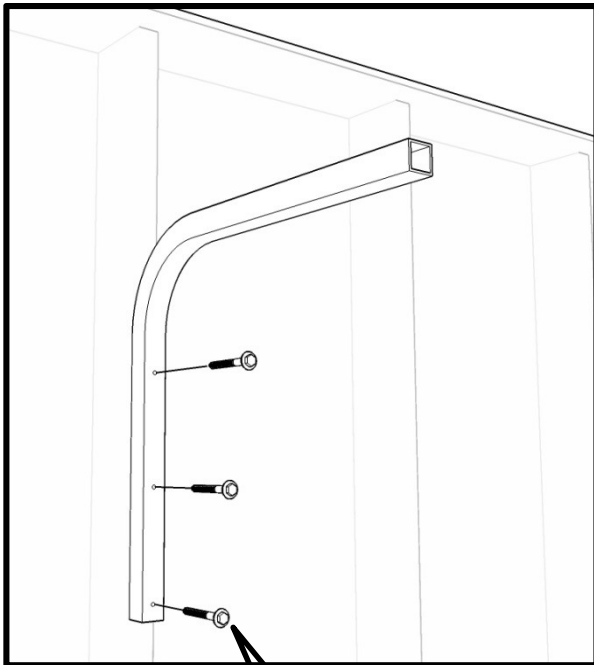
Required Tools:

- 1 – 24" Level
- 1 – Stud Finder
- 1 – HB Soft Pencil
- 1 – Cordless Drill with #2 Robertson Bit
- 1 – Socket Wrench
- 1 – 7/16" Socket

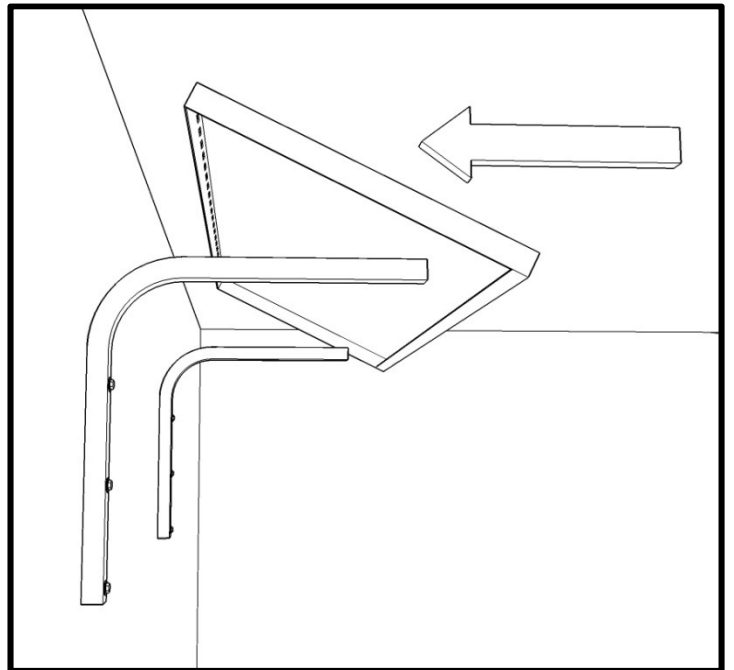
Step 1



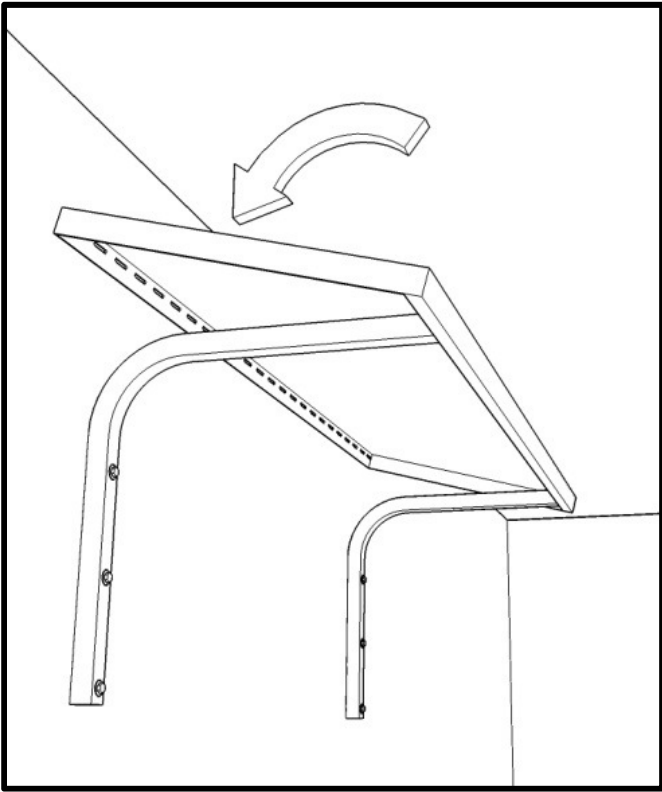
Step 2



Step 3



Step 4



Step 5

