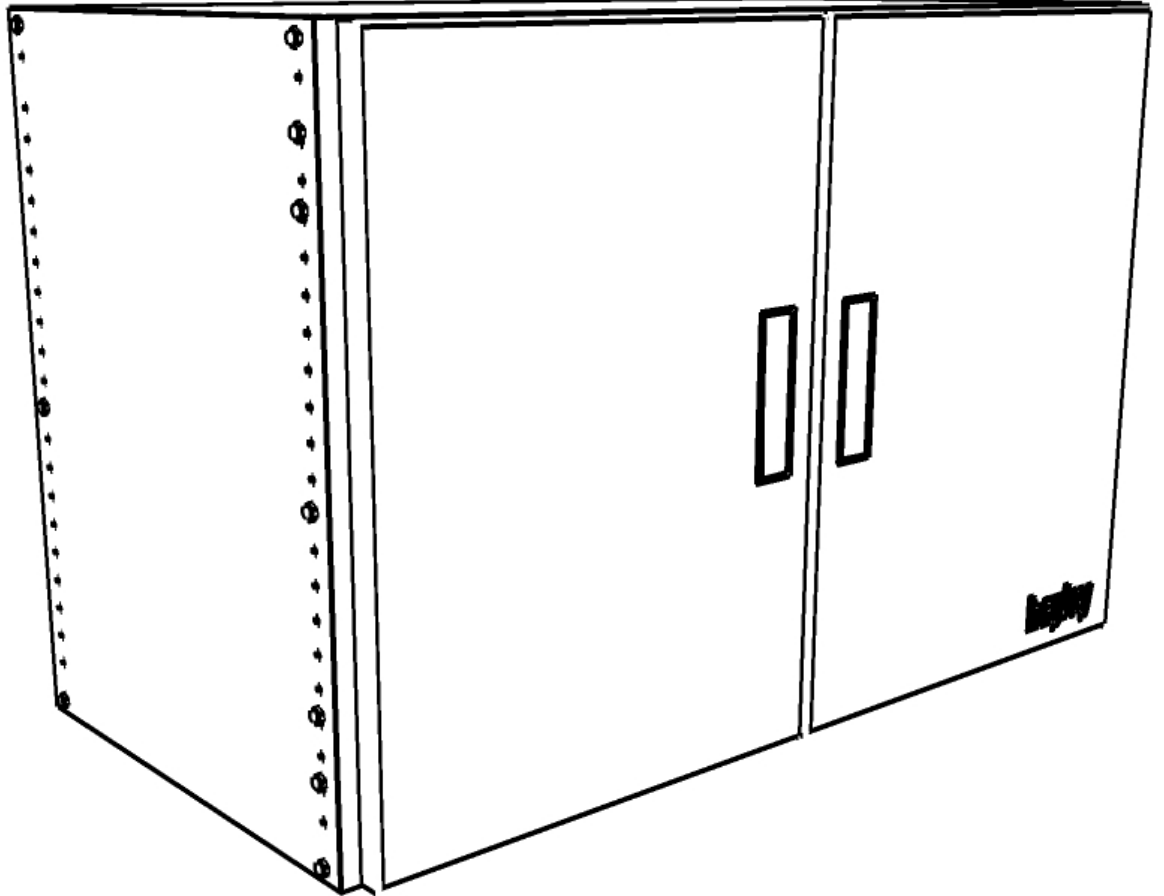
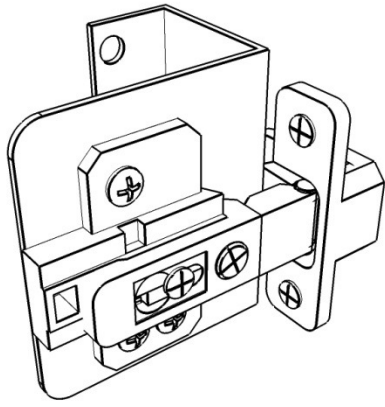


HR12

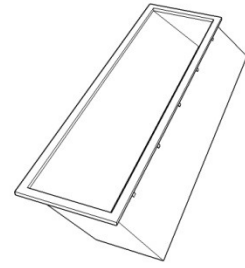
CABINETS
BY
hayley



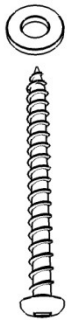
www.cabinetsbyhayley.com



4x



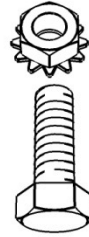
2x



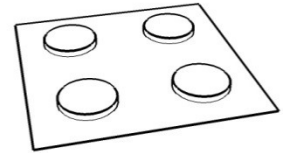
4x



8x



20x



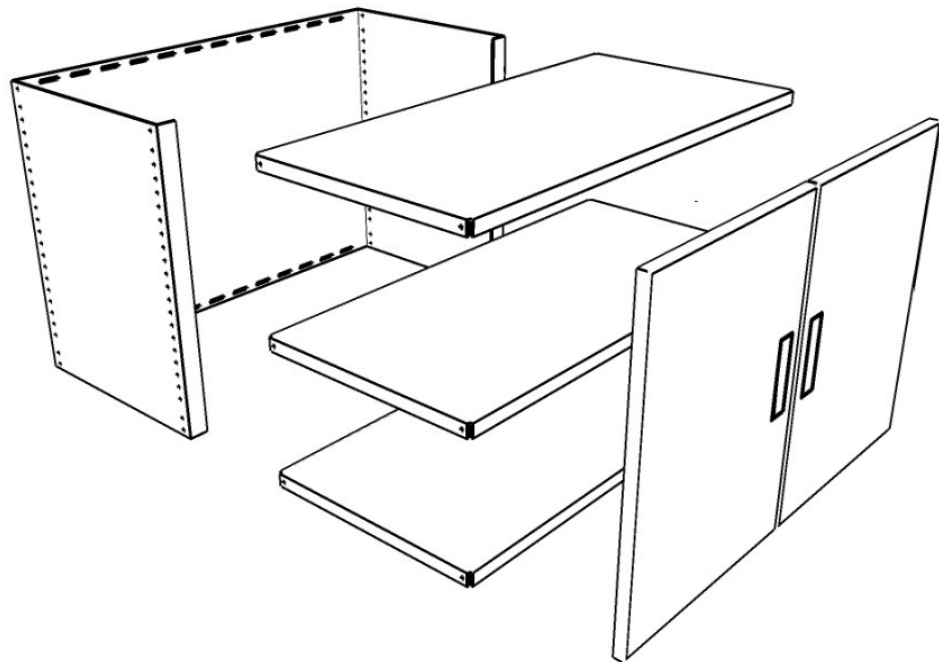
2x

Required Tools:

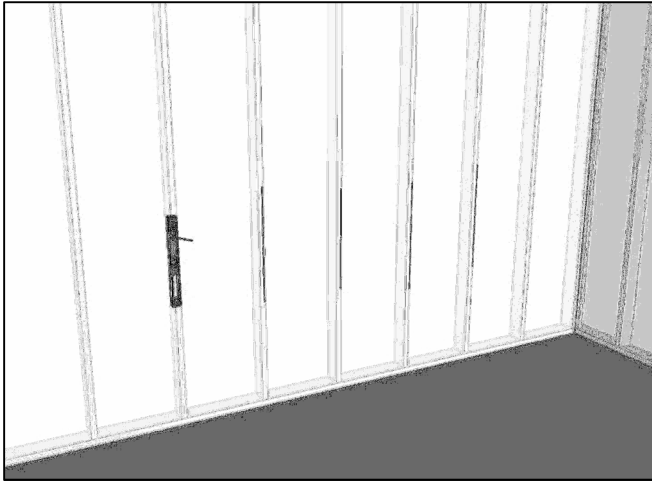
- 2 – 7/16" Wrenches
- 1 – #2 Robertson Screw Driver
- 1 – #3 Robertson Screw Driver
- 1 – 24" Level
- 1 – Stud Finder
- 1 – HB Soft Pencil

Suggested Additional Tools:

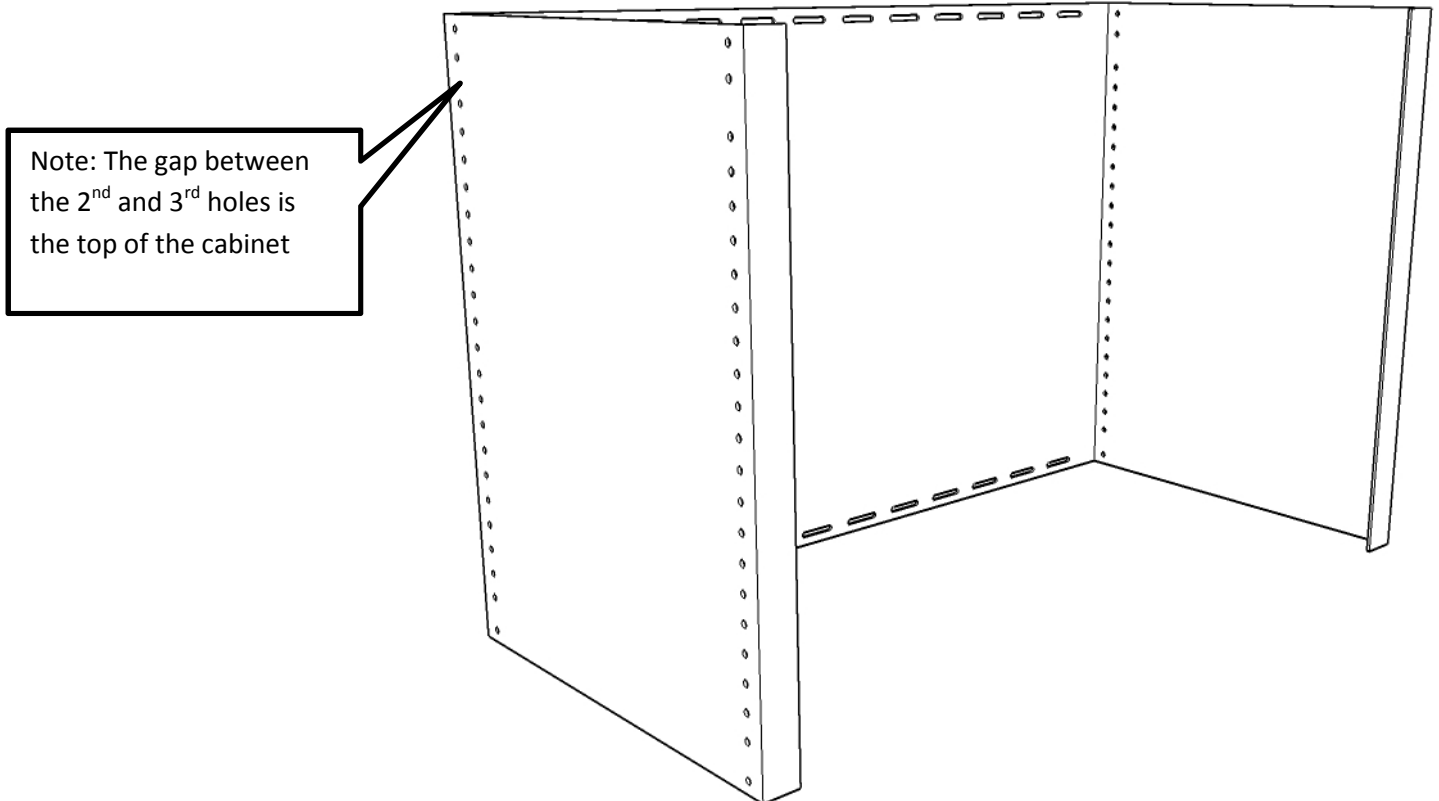
- 1 – Cordless Drill
- Robertson Bits
- 1 - 1/8" Drill Bit
- 1 – Ratchet Wrench
- 1 – 7/16" Socket
- 1 – 7/16" Gear Wrench



Step 1

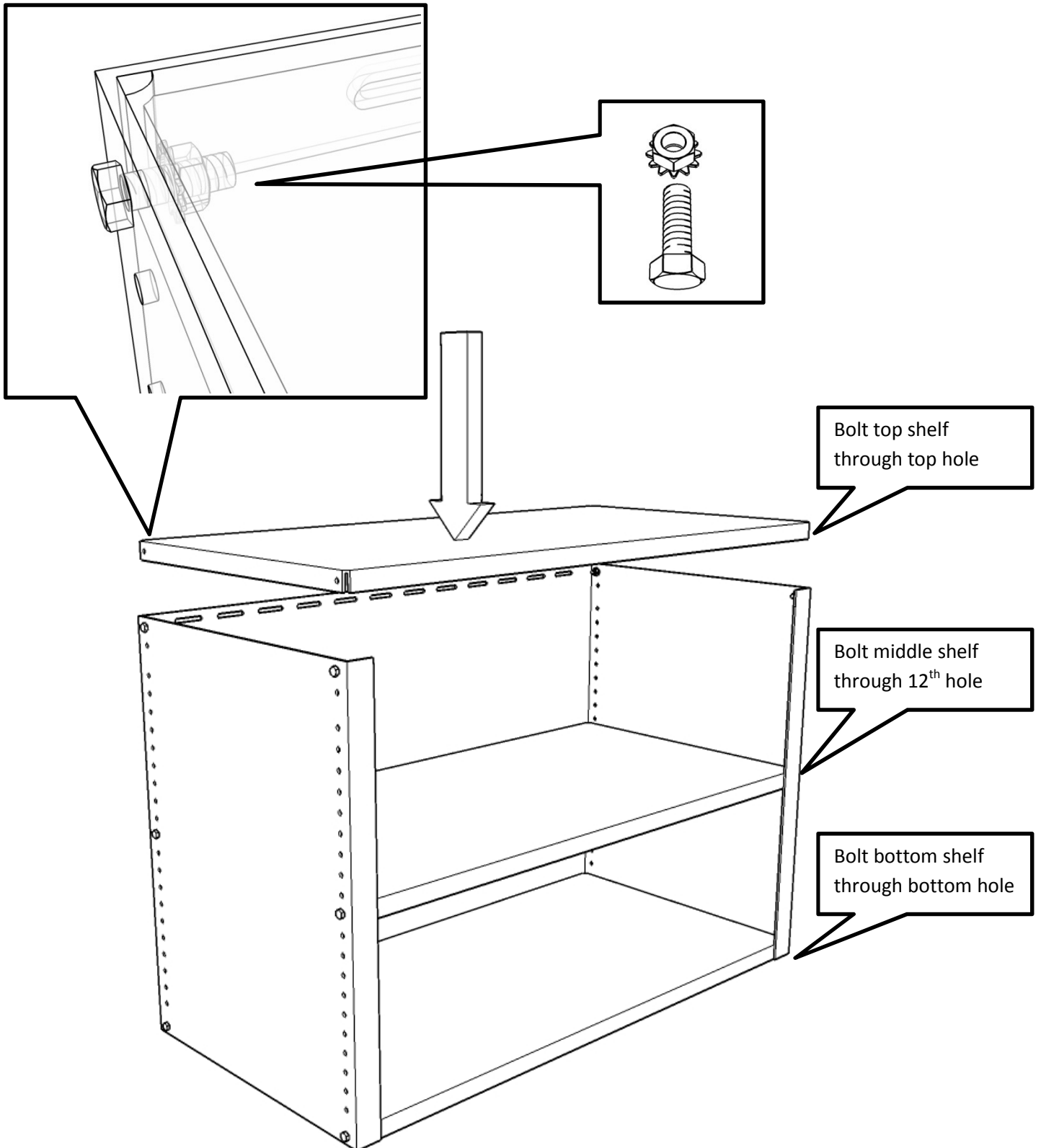


Step 2

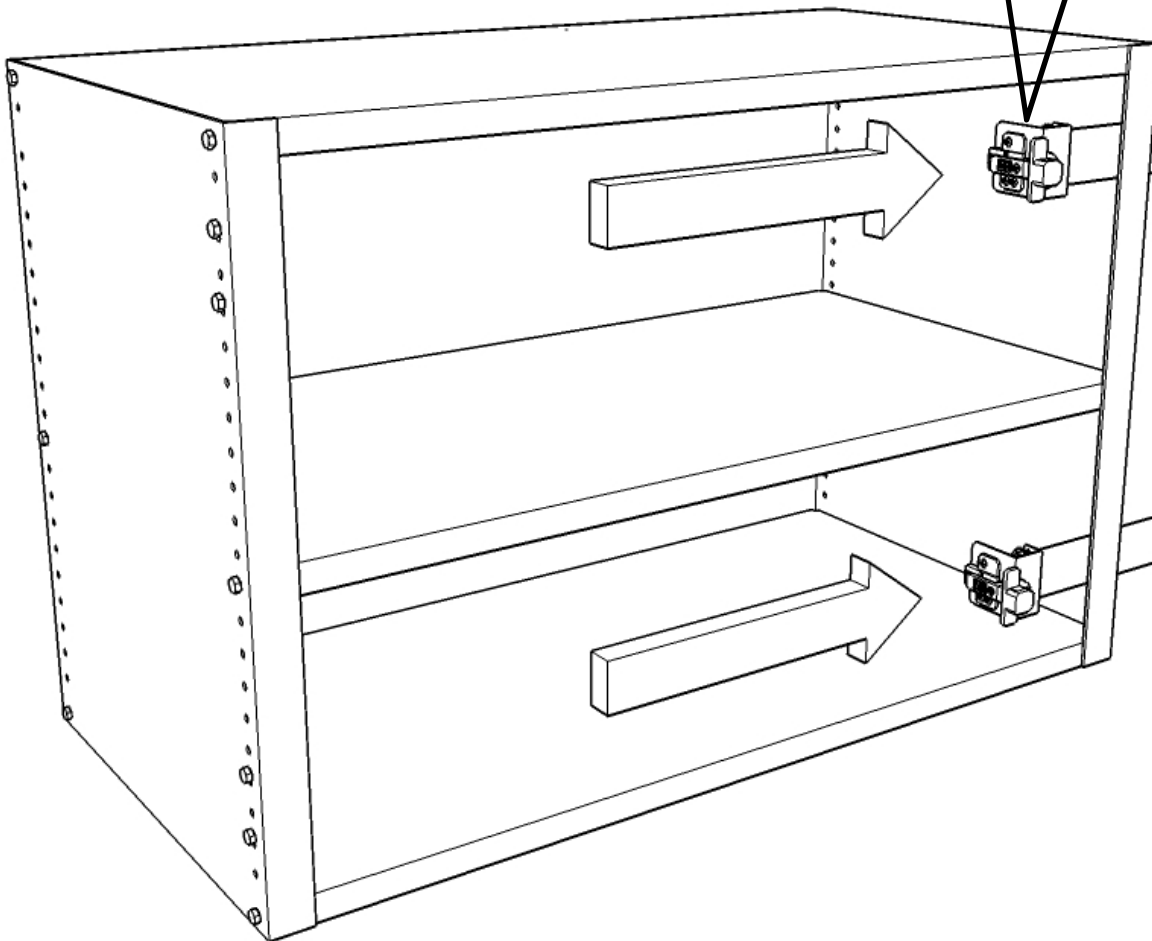
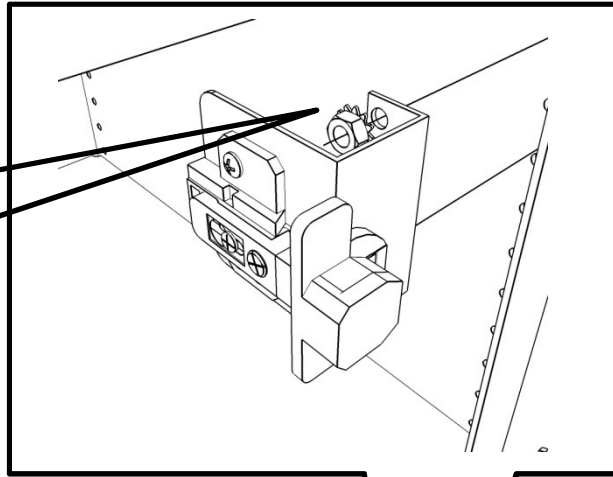
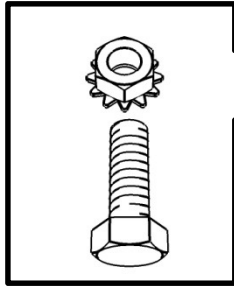


Note: If you are bolting more than one unit together make sure that your bolt runs through the first hinge and gable then through the second gable and hinge. It's a good idea to bolt the whole configuration together while it is still on the ground then stand it up.

Step 3



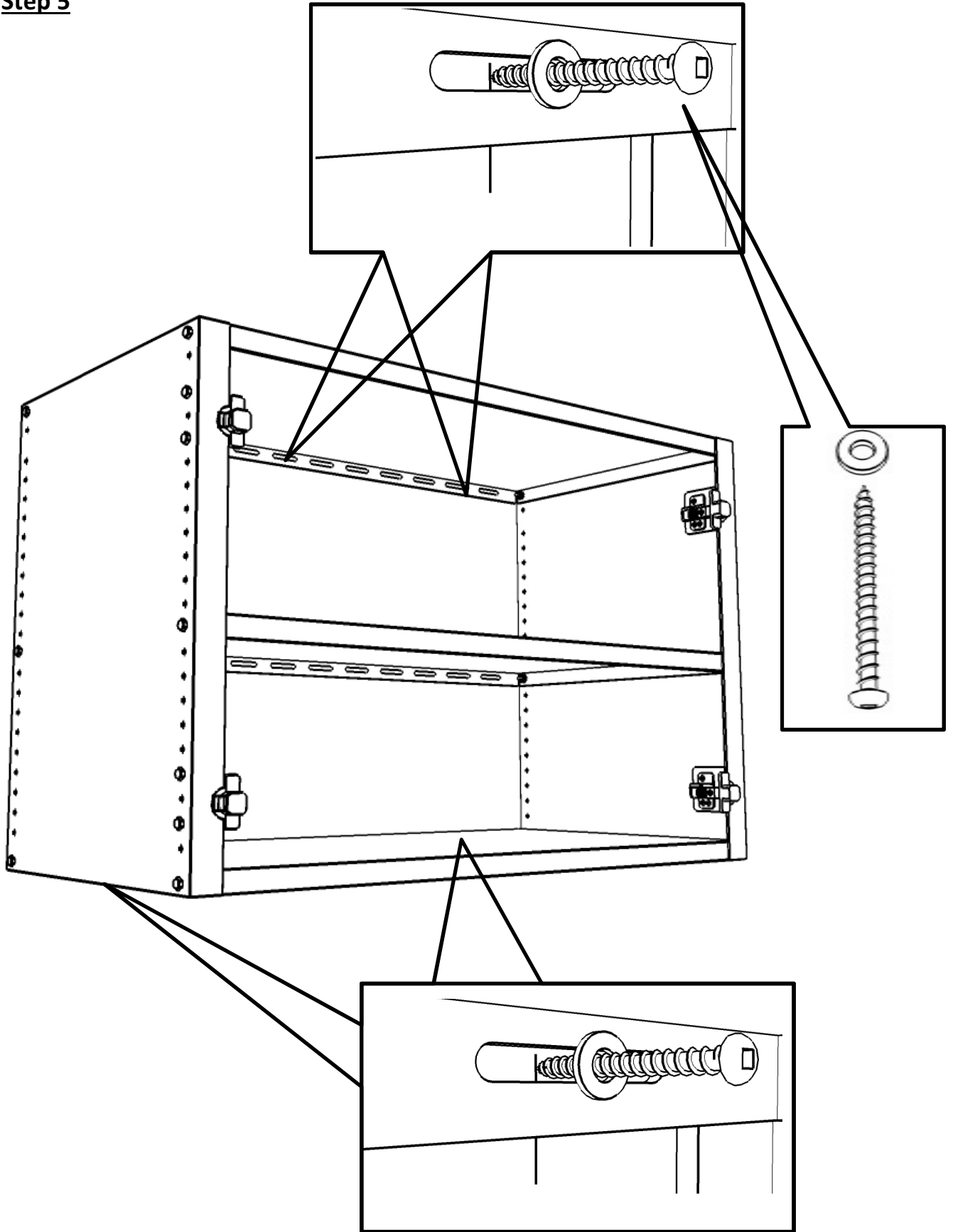
Step 4



Bolt top hinge
through 3rd & 5th
hole from top

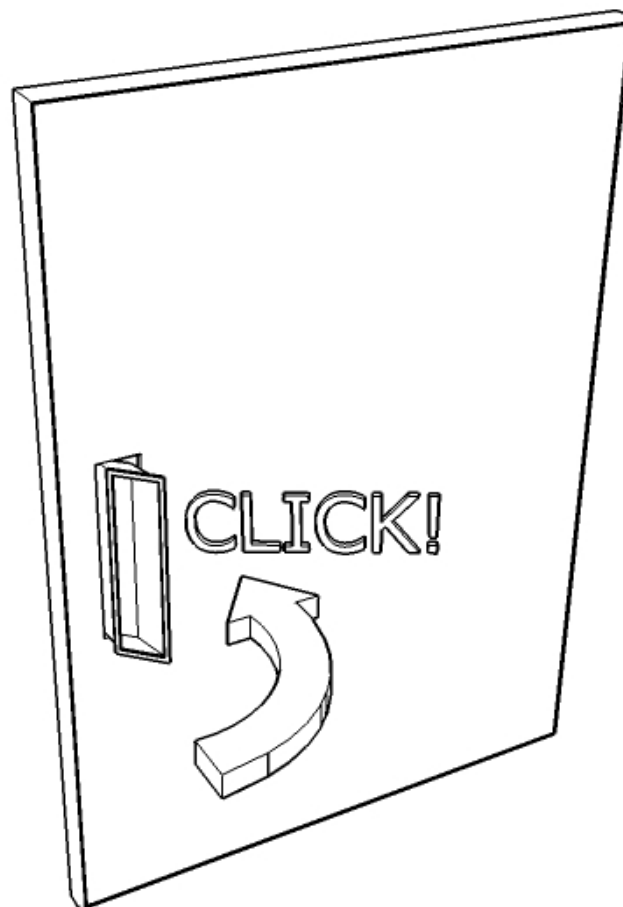
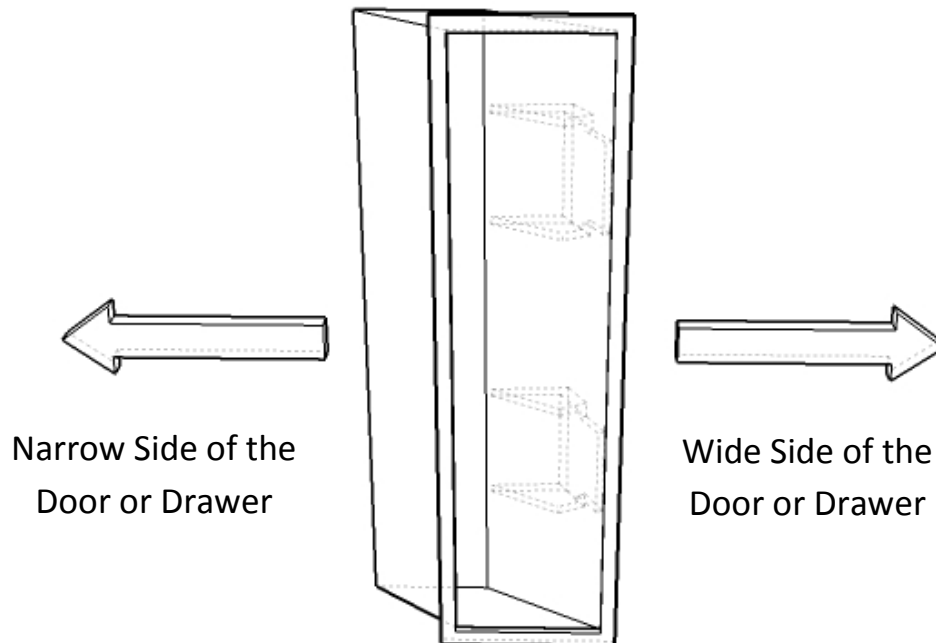
Bolt bottom hinge
through 3rd & 5th
hole from botom

Step 5



Step 6

Important Note!!! Once the handles have been snapped into place there are permanent so double check the orientation of the handle.



Step 7

