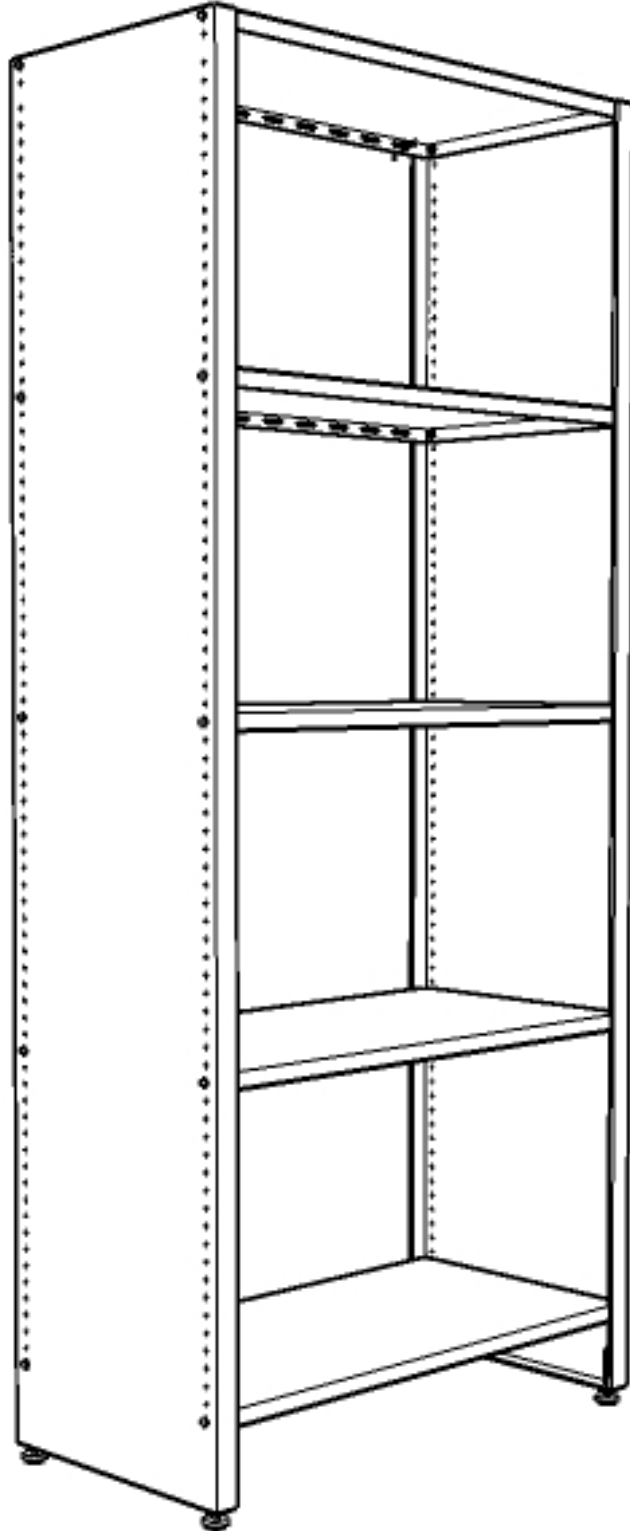
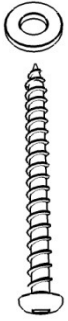


HR1

CABINETS BY **hayley**



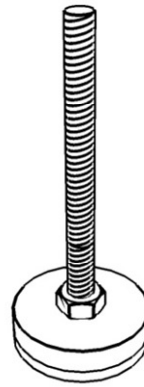
www.cabinetsbyhayley.com



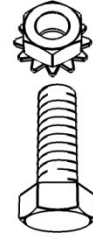
4x



16x



4x



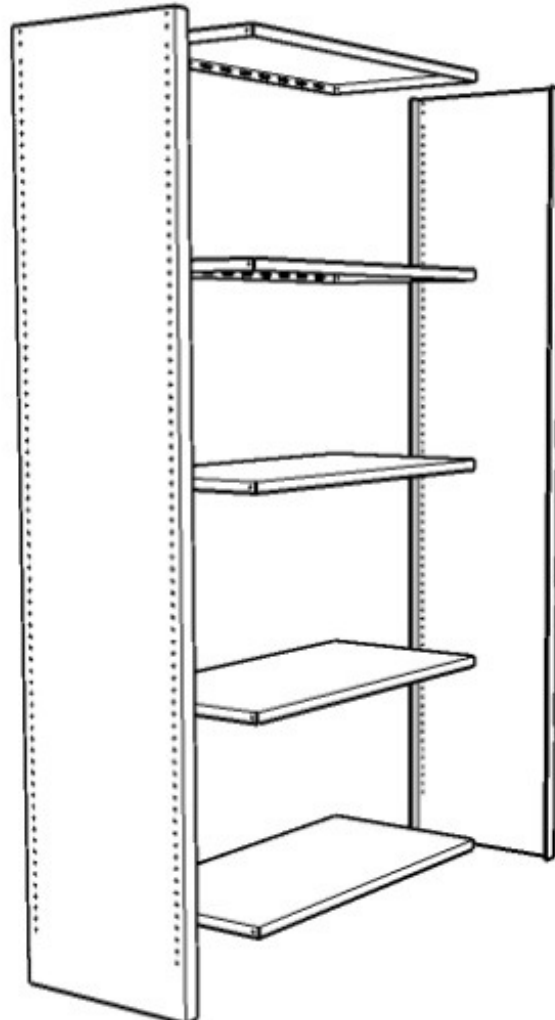
20x

Required Tools:

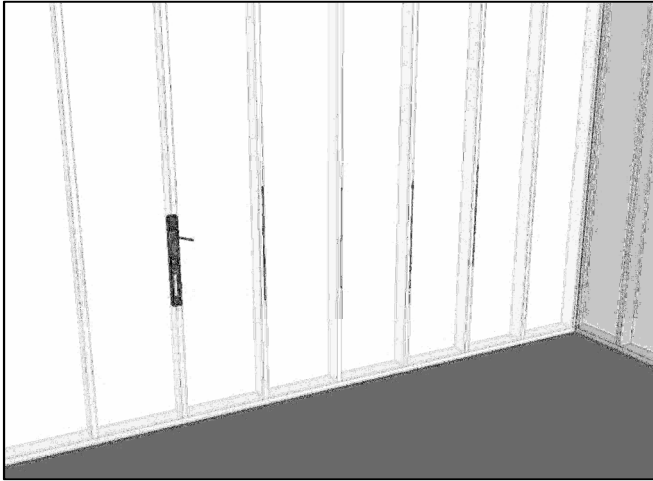
- 2 – 7/16" Wrenches
- 1 – #2 Robertson Screw Driver
- 1 – #3 Robertson Screw Driver
- 1 – 24" Level
- 1 – Stud Finder
- 1 – HB Soft Pencil

Suggested Additional Tools:

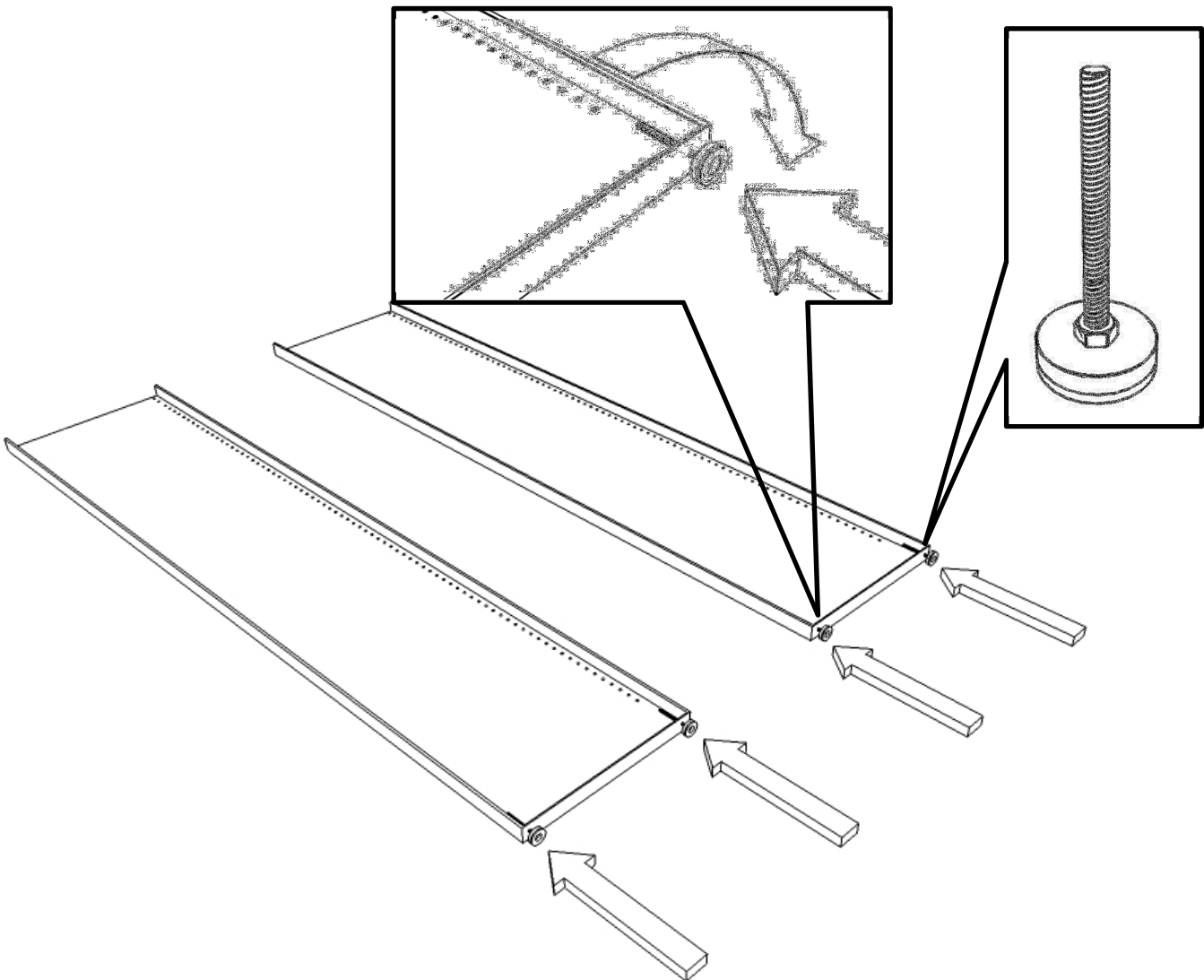
- 1 – Cordless Drill with Robertson Bits
- 1 – Ratchet Wrench
- 1 – 7/16" Socket
- 1 – 7/16" Gear Wrench



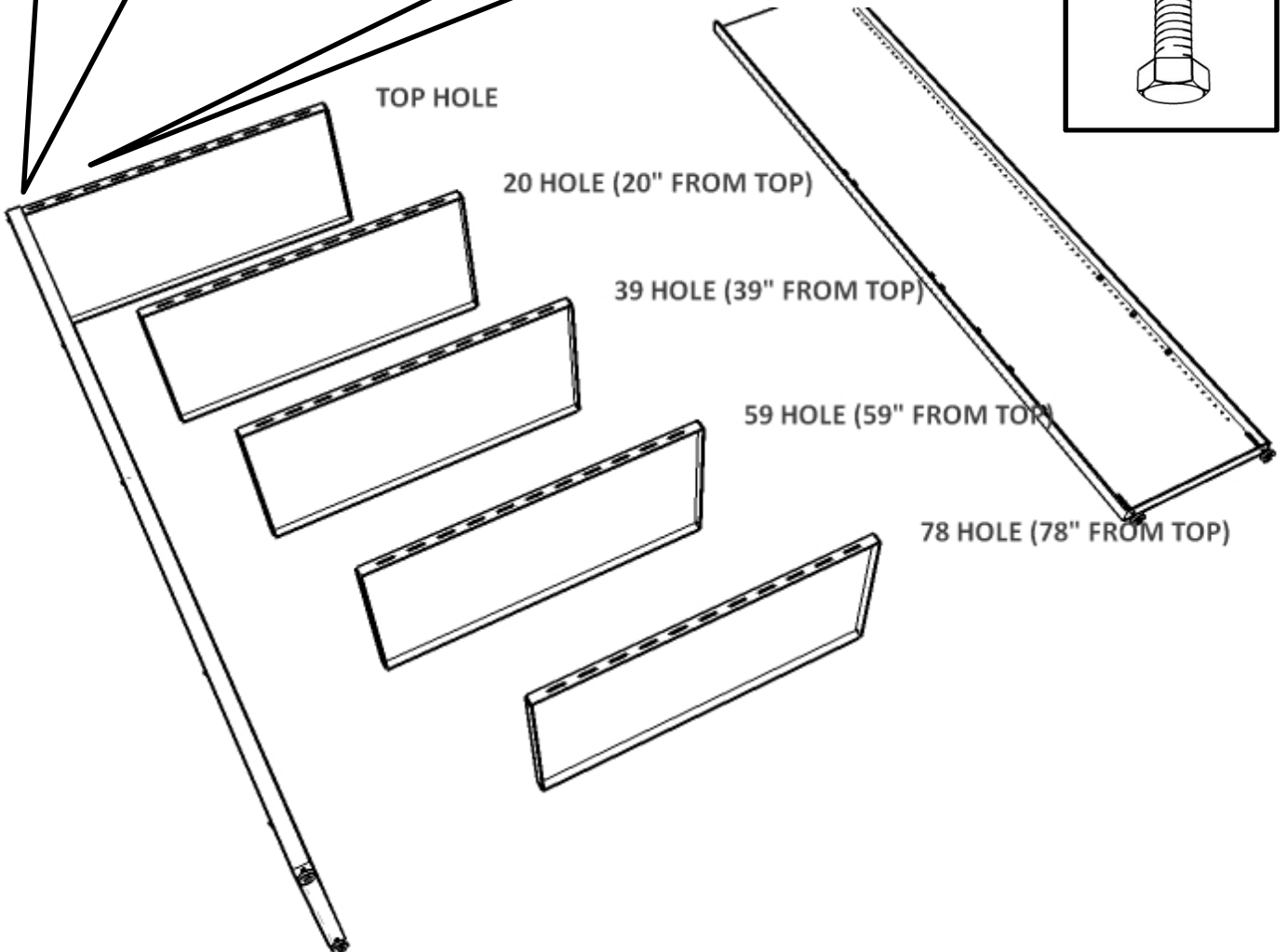
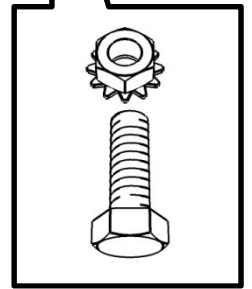
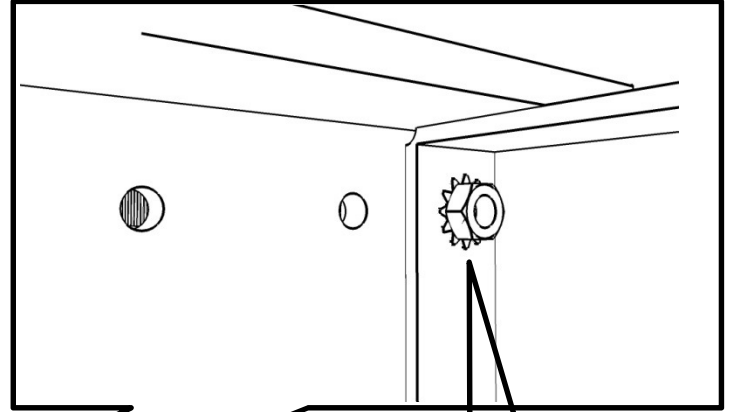
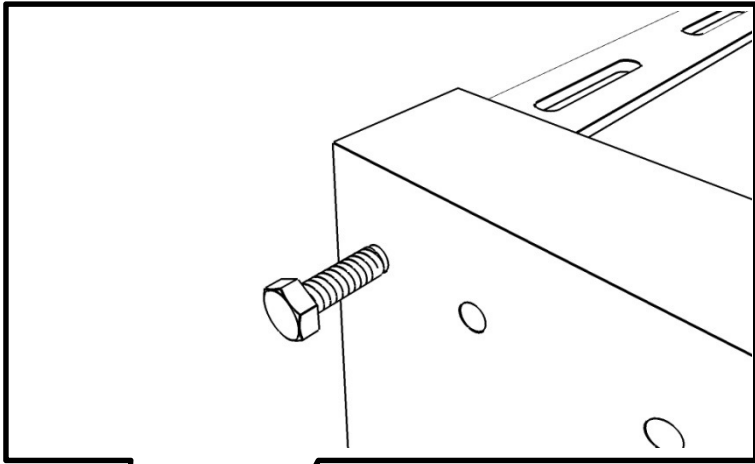
Step 1



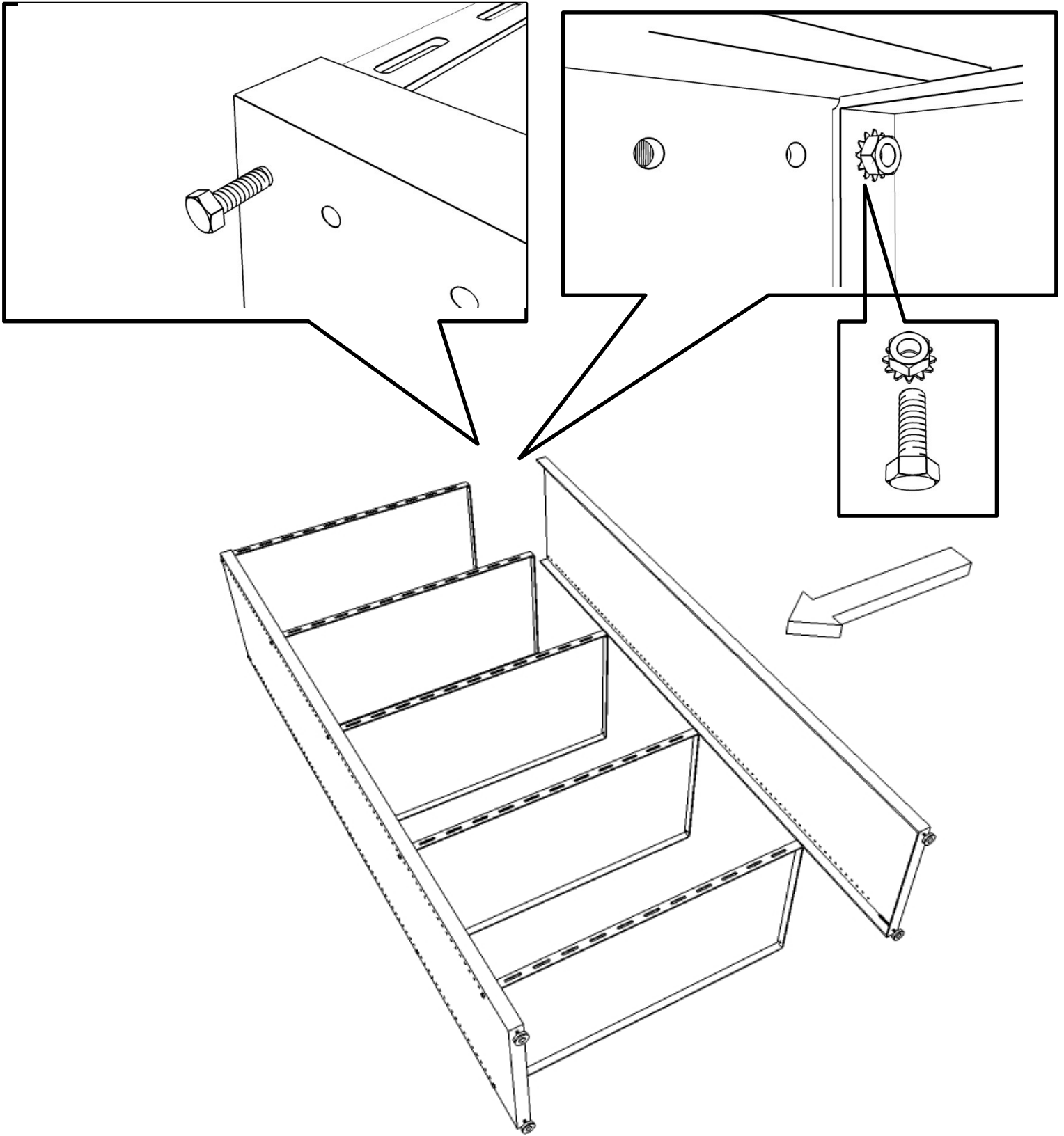
Step 2



Step 3



Step 6



Step 7

