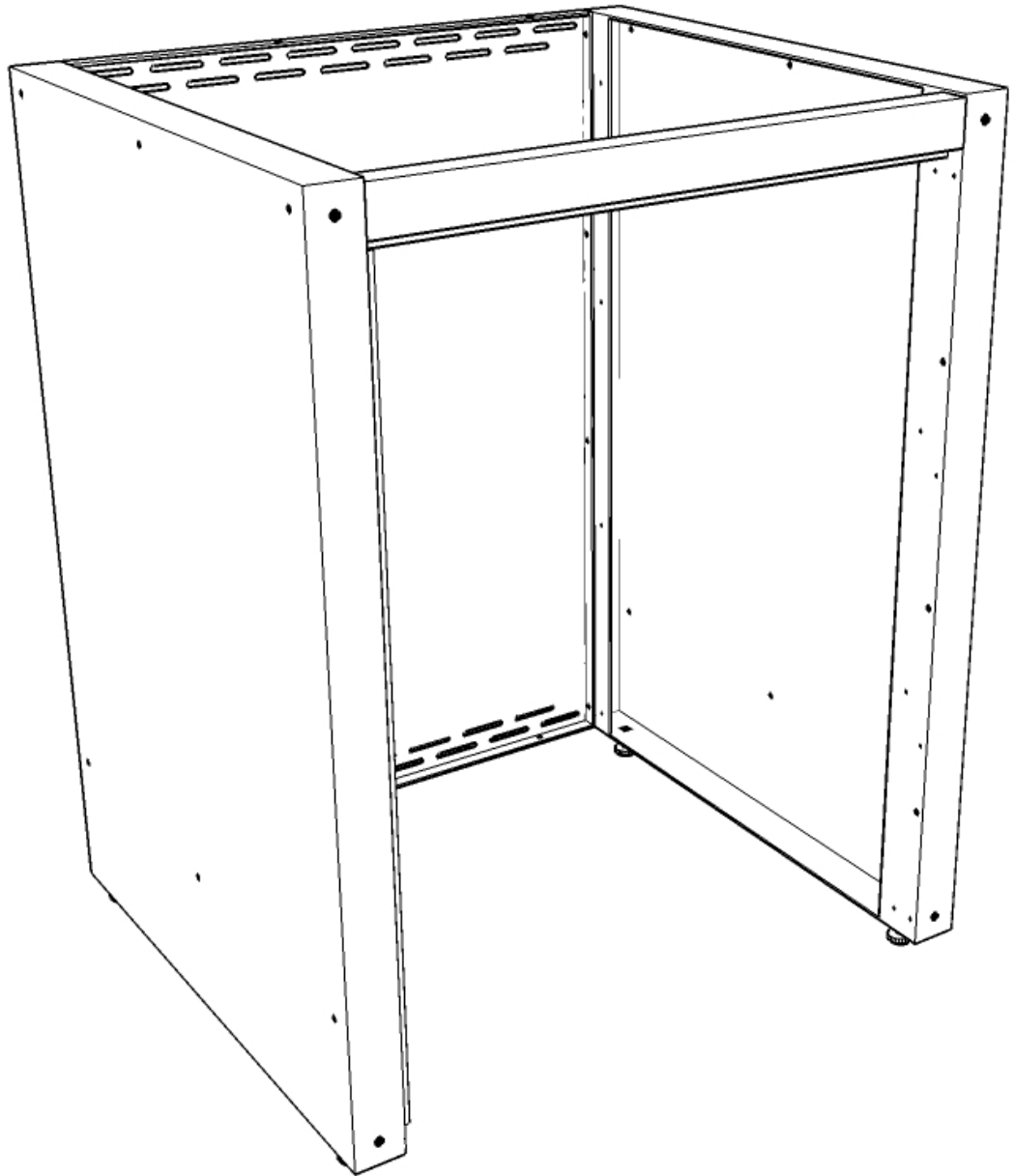


FSD

CABINETS
BY
hayley



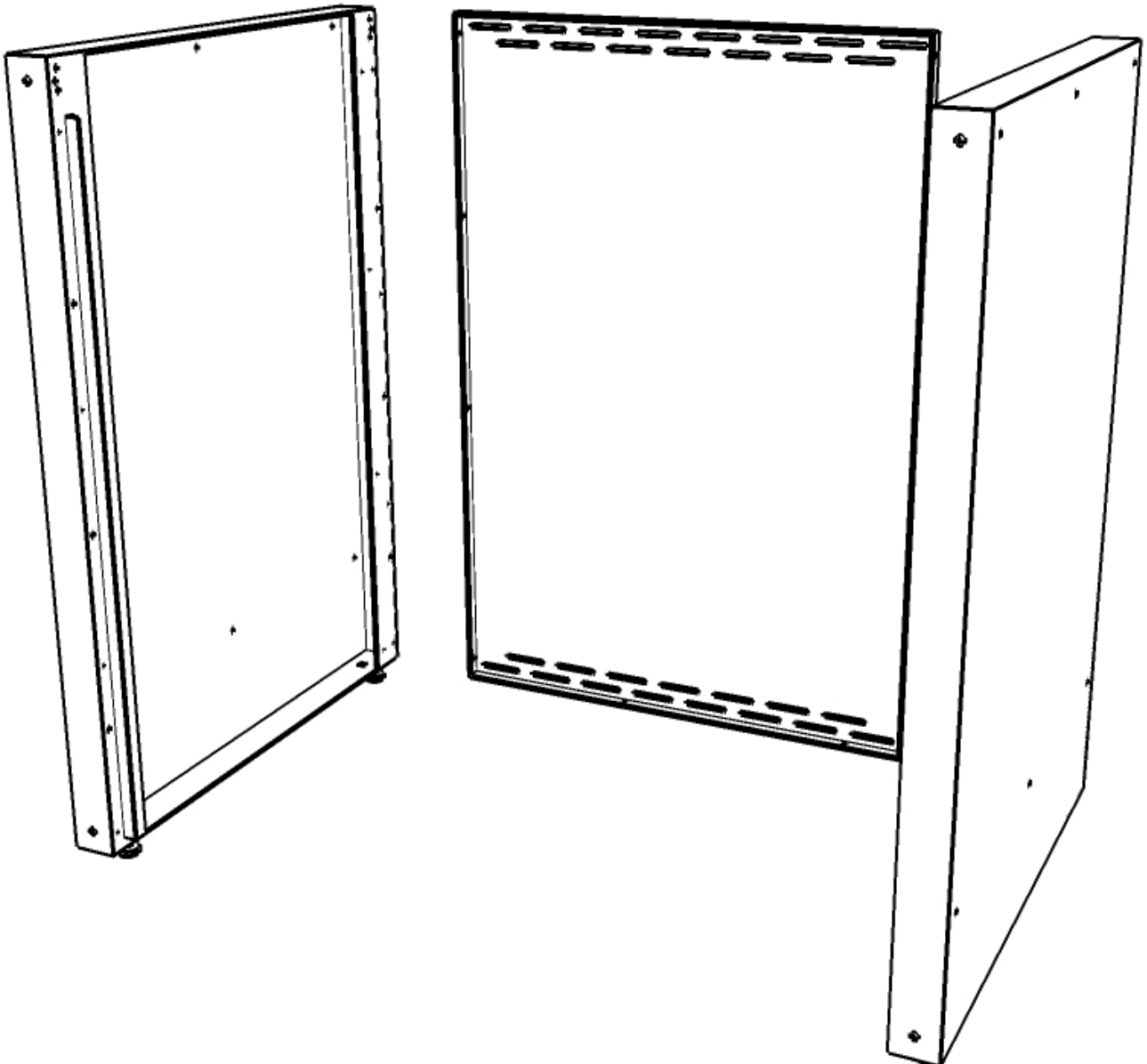
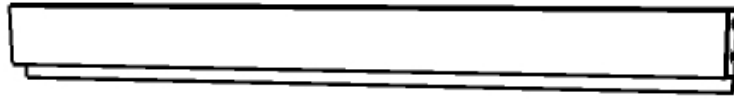
www.cabinetsbyhayley.com

Required Tools:

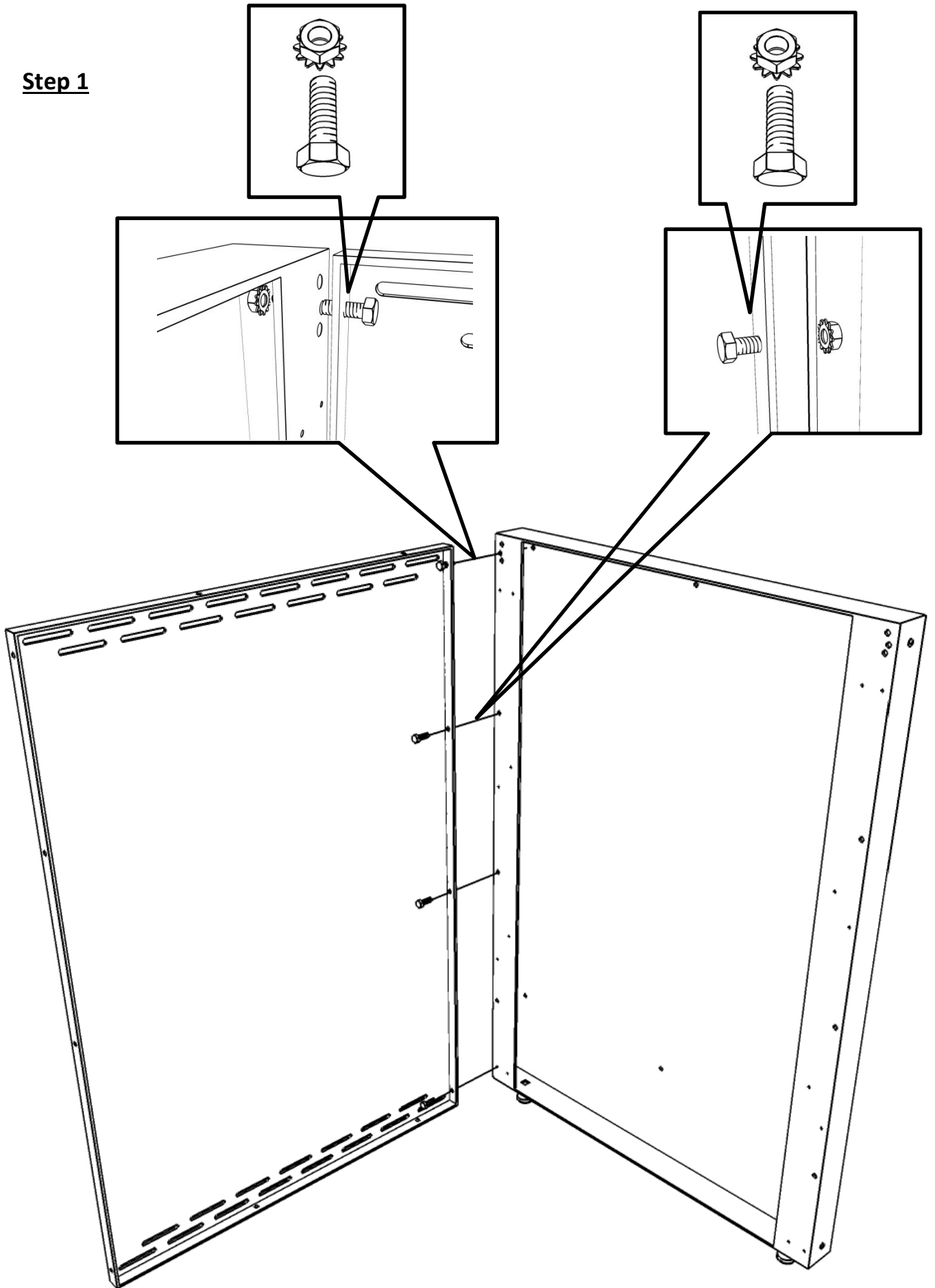
- 2 – 7/16" Wrenches
- 1 – #2 Philips Screw Driver



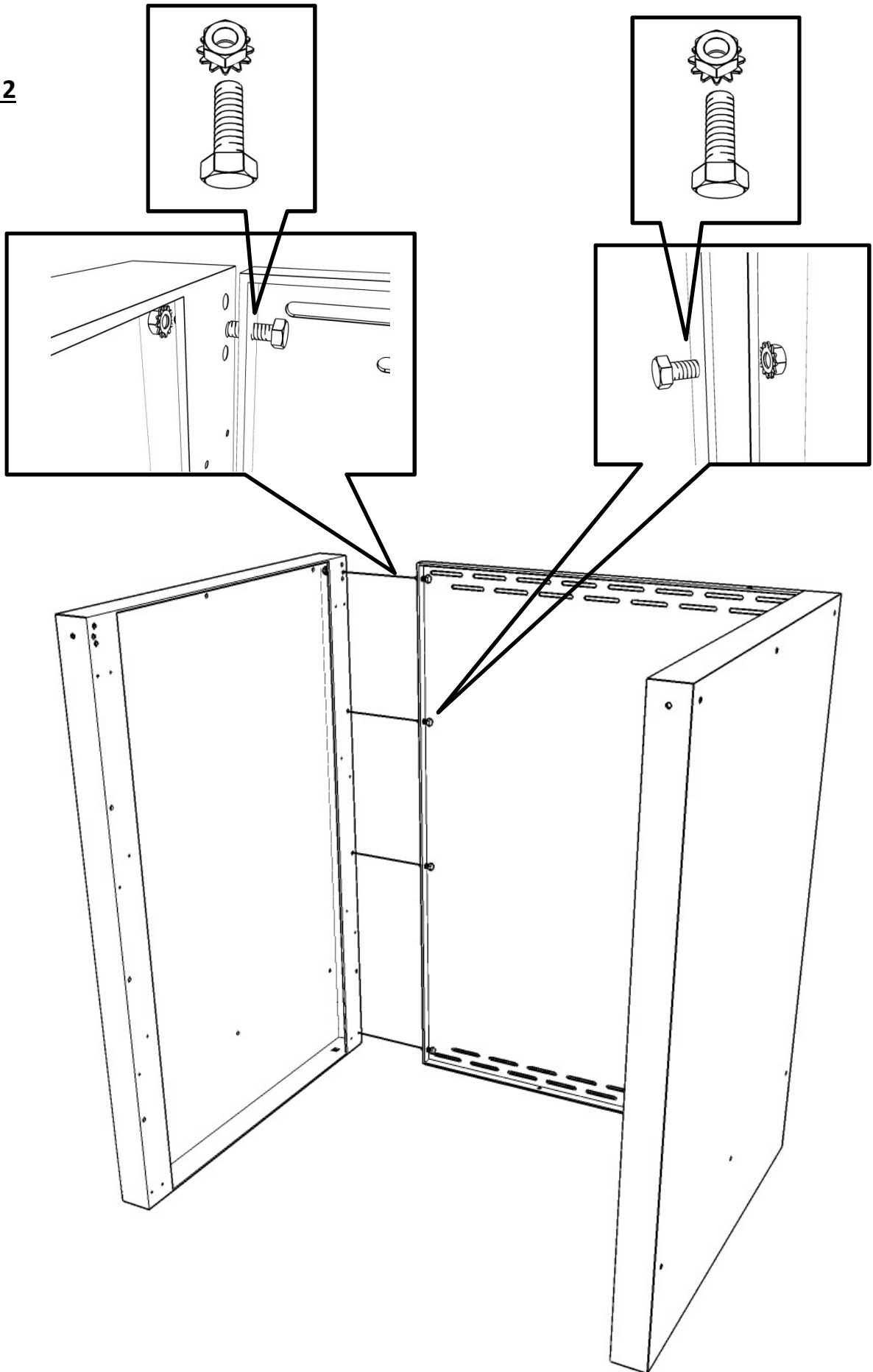
12x



Step 1



Step 2



Step 3

